

TranzVolt G2 Collapsible Roofing Platform Model #40675

Note: The fully assembled tracks and TranzVolt should be located in its final work space and fully secured at the top of the roof.

- Slide/place the roofing platform base over the top of the carriage frame as shown in Fig 1. Align the mounting holes with the base top and carriage frame.
- Insert the **front** quick release pins in both left and right mounting holes as shown in Fig. 1.
- Position the tilt platform cap against the ladder track and lower the cap downward. The cap can rest against the top tube of the carriage frame during assembly.
- Align the platform cap mounting holes on the carriage frame and the platform base.
- Insert a quick release pin on each side, passing through the base, carriage frame and the platform cap. As shown in Fig. 2.

Note: Test run the full TranzVolt by raising the platform making sure the top cap rides along the tracks and collapses over the top cap with smooth operation.

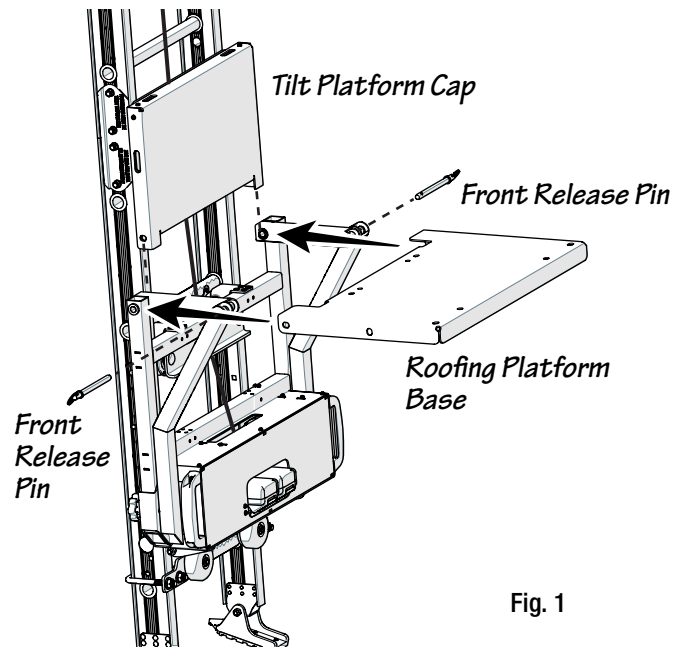


Fig. 1

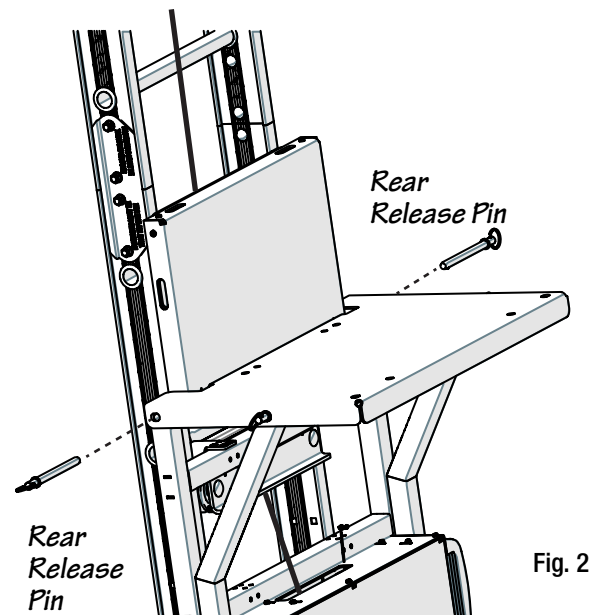


Fig. 2



TranzVolt G2
Operations
Manual

WARNING: This product can expose you to chemicals including Nickel, which is known to the State of California to cause cancer. For more information go to: www.P65Warnings.ca.gov

Instruction #08429 (E1938 - Rev. 5/24/23)