

## UNIVERSAL GUARDRAIL FALL PROTECTION SYSTEM

The Universal System is designed for providing fall protection for workers near the roof edge. These activities are to be performed on flat, level roofs only with a maximum pitch of 1/2 in. per foot (.5/12) or with additional 5 ft. outriggers every 20 ft. Universal Guardrails may be used up to a 2/12 pitch per OSHA 1926 Subpart M.

### Typical Usage:

Guardrail systems can be used around roof openings and at the roof perimeter. Identifying the most common rooftop safety hazards and providing safety training to workers is imperative to ensure a safe workplace.

### OSHA Compliance:

New OSHA Rule in affect: Walking-Working Surfaces, 1910.28, please consult this as well as all local, State and Federal OSHA rules

### Features:

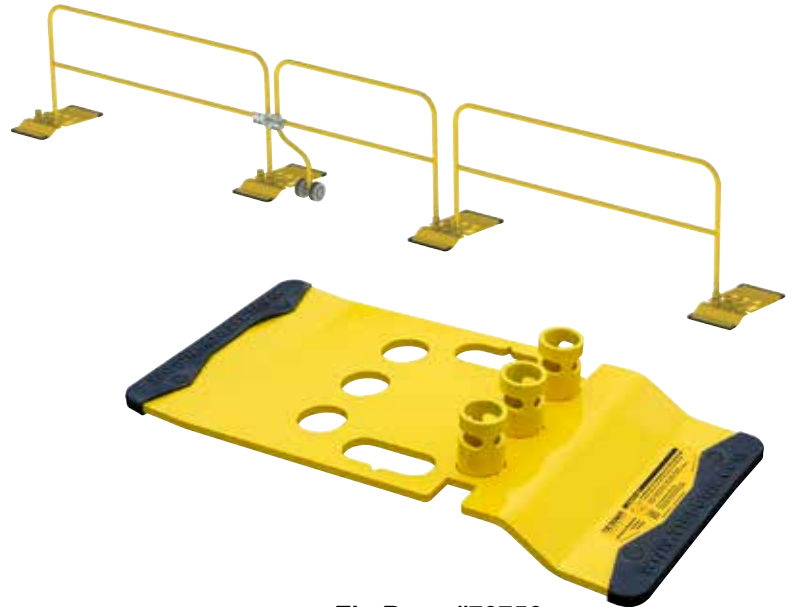
- Used as a portable or permanent guardrail
- Quick easy installation
- No drilling or tools needed
- High Visibility TS22 Safety Paint and Pre-galvanized tubes available
- EPDM rubber pads for added roof surface protection
- 5, 7.5 & 10 feet guardrail sizes

### Minimum Requirements:

Guardrail Outriggers **MUST** be used at both ends of any interruption in continuous guardrail sections, or at both ends of a continuous guardrail section.

### Use on Low Slopped Roofs

The Universal Guardrail can be used on a low slopped roof up to a 2/12 pitch. An additional 5 ft. rail and guardrail base, outrigger, must be placed every 20 ft.



### Zip Base #70756

3 hole base, yellow powder coat with rubber feet (58 lbs). Nests and stacks easily for storage before and after use. Comes with toe board slots on each side and handle holes for lifting.



### NEW!

- Molded
- Soft Rubber Feet
- Rivet Option



See reverse side for additional specifications



## UNIVERSAL GUARDRAIL FALL PROTECTION SYSTEM

### Standards:

System shall have top and mid rail in accordance with OSHA Standards – 29 CFR 1910.23 and 29 CFR 1926.502.

### Structural Load:

200 lb (90.7 kg), minimum, in any direction to all components in accordance with OSHA Regulations 29 CFR 1910.23 and 29 CFR 1926.502.

### Guardrail Height:

42 inches (1067 mm).

### Railings:

High Strength Low Alloy (HSLA) Steel 1.66" (42 mm) O.D. HRPO electric weld tubing, free of sharp edges and snag points.

### Mounting Bases:

1/2" HRPO carbon steel plate. Base weight 58 lbs and 72 lbs per square foot. Rubber pads on bottom bases.

### Receiver Posts:

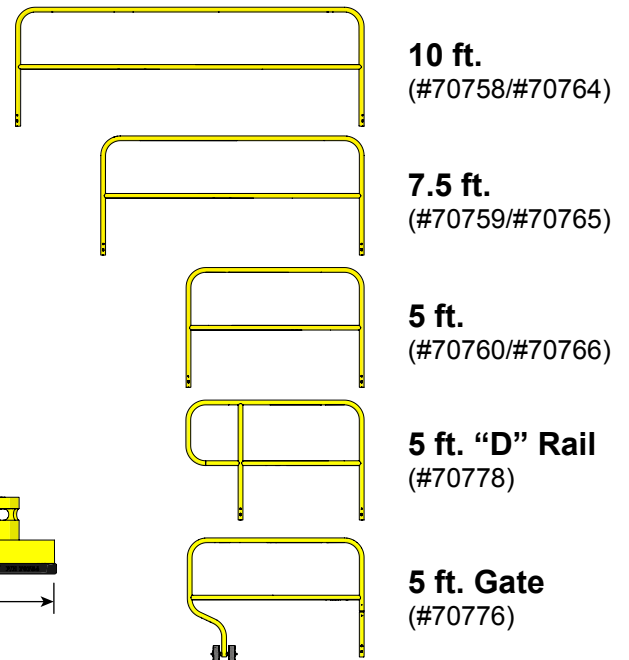
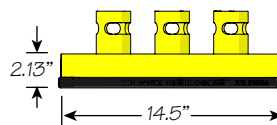
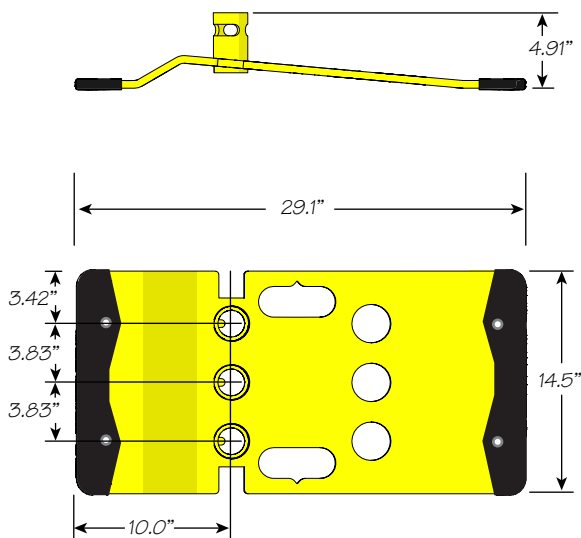
Shall have a positive locking system into slots that allow rails to be mounted in any direction.

### Hardware:

Securing pins shall be 1010 carbon steel, zinc plated. Pins shall consist of collared pin and lanyard that connects to pin.

### Finishes:

Available in High Visibility TS22 Safety Paint, Pre-galvanized tube, and custom colors upon request.



Guardrail  
Installation  
Instructions

E1627 Rev. 5/8/20