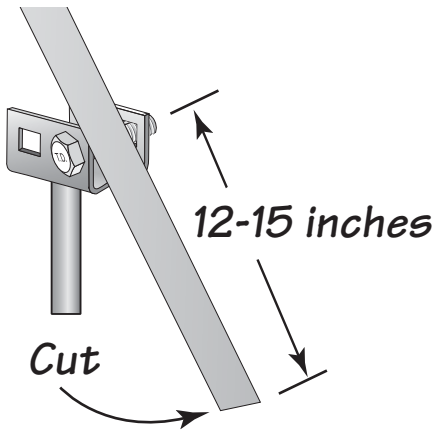
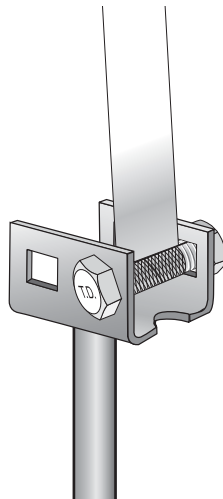


Proper Strap Tensioning: Slotted Bolts



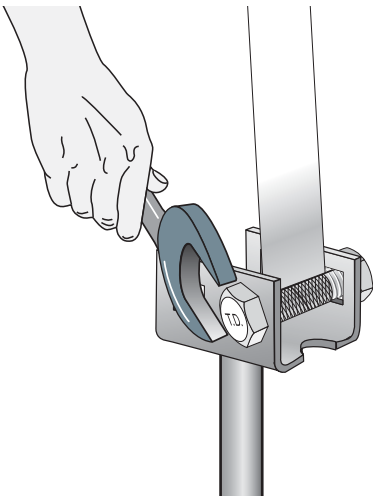
Step 1

Insert slotted bolt into anchor head, attach loosely. Pull strap past bolt head and cut strap so that 12-15 inches of strap are available to wrap onto the slotted bolt.



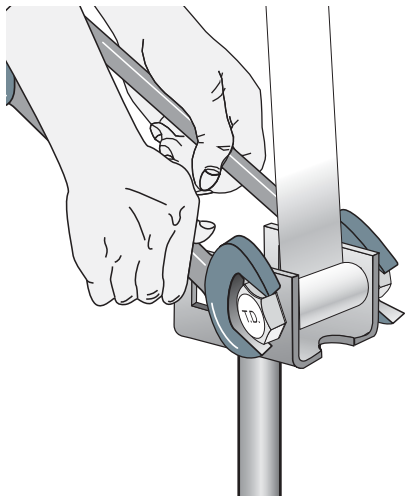
Step 2

Insert the strap end into the slot in bolt until flush with opposite side of bolt.



Step 3

Using 15/16" wrench or socket, turn the bolt, winding the strap so that a minimum of four to five complete turns are made, and the strap is adequately tensioned.



Step 4

Hold the bolt under tension while tightening the nut, drawing the head of the bolt into the recess. After the bolt is within the recess, continue to tighten the nut until securely fastened.