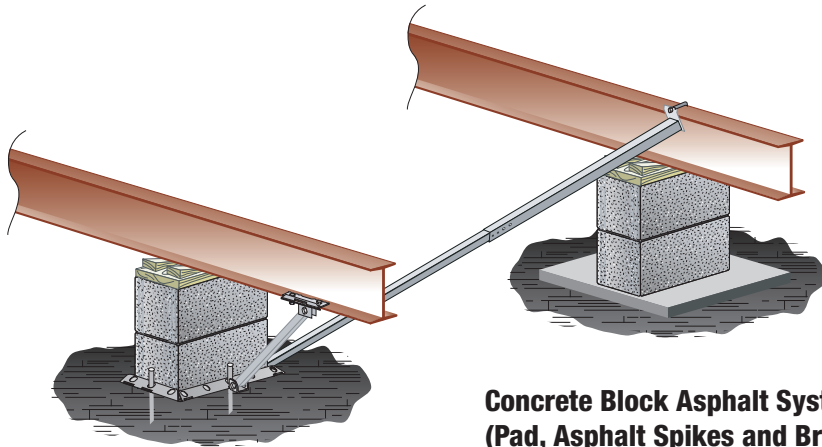


# Xi2 Foundation System Asphalt Installation Instructions By Tie Down



These plans and specifications meet the requirements of the IBC 2021, 115 mph. Exposure C, ASCE 7-16, IRC and HUD Wind loads.



**Concrete Block Asphalt System  
(Pad, Asphalt Spikes and Brackets)  
Part #59604**

## Requirements

- Designed for I Beam or Perimeter Frame main rails.
- Vertical anchor ties that are unique to design may be required by the manufacturer. These locations may include shear walls, marriage line ridge beam support posts, and rim plates. The longitudinal component of the Xi2 System replaces end frame ties. Check manufacturer's set-up requirements.
- Maximum Pier Height 48".
- Systems must be installed with Xi2 lateral and longitudinal braces, each sold separately.
- Place systems as shown on page 3 of 4. For standard I-beams, place systems as evenly as possible with the corner systems no more than 10' from the end of the unit, and additional systems at the approximate midpoint of the unit.
- Longitudinal strut angles need to be no more than 50 degrees and no less than 25 degrees.
- The Xi2 system is installed under one of the pier locations required by the home manufacturers set-up instructions.
- The asphalt must be a minimum of 1-1/2 in. thick and the center of the pads must be a minimum of 12 in. from the nearest edge of the asphalt.

## HUD Requirements

- Maximum vertical projection at sidewall is 9' (wall and eave). Higher walls may be used when design loads are adjusted accordingly.
- For roof slopes up to 20 degrees, (4.37" in 12" Pitch)
- Wind Zones II & III require sidewall anchors for uplift. Check manufacturers requirements.

## IBC, IRC Requirements

- Maximum wall height 14', unless design loads adjusted accordingly.
- Designed for roof slope less than 20 degrees.
- Seismic Design Category D2

## Standard I-Beam Installation

1. Identify the number of systems needed using the chart provided (see page 4).
2. Identify the location where the systems will be installed.
3. Place pad centered under the beam with the with the flat lip side of the pad facing outward.
4. Mark spots where the rod is to be installed through pad and bracket and remove pad. For standard outrigger I-beams; brackets go in the center slots. (3 rods per pad as symmetrical as possible).
5. Using a hammer drill, drill a 3/4" hole approximately 6" into the asphalt at the locations where the lateral and longitudinal strut brackets, plus 3rd rod are to be attached. Slide washer onto rod to the crimp spot.
6. Attach the lateral strut bracket to the center of the pad facing the other I-beam by driving stake through the bracket and pad into the asphalt.
7. Attach the longitudinal strut bracket to the end of the pad closest to the inside of the home through the center hole by driving the stake through the bracket and pad into the asphalt.
8. Drive a stake in the opposite end of the pad so there are 3 stakes as symmetrical as possible.
9. Attach the lateral strut to the center bracket so the end of the strut reaches across to the opposite I-beam and attach the flag end to the beam with the J bolt over the top of the beam using nuts and bolts provided.
10. Build pier according to State, local or unit manufacturer's guidelines.
11. Install longitudinal frame clamps to I-beam on inside of block/pier. Do not tighten at this time.
12. Size longitudinal struts to assure they are no more than 50 degrees and no less than 25 degrees, (may be cut to length).
13. Attach one end of longitudinal strut to bracket in end of pad and other end to the Longitudinal frame clamp using nuts and bolts provided.
14. Tighten all nuts and bolts on struts and beam clamps at this time.

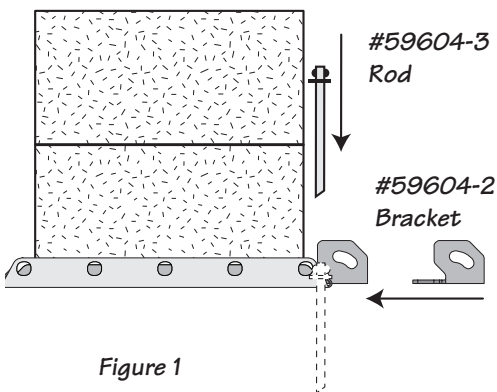


Figure 1

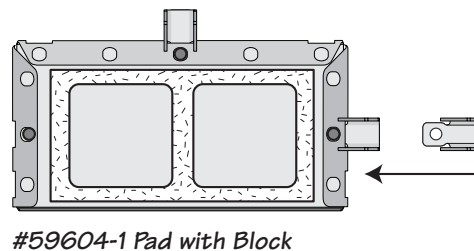


Figure 2

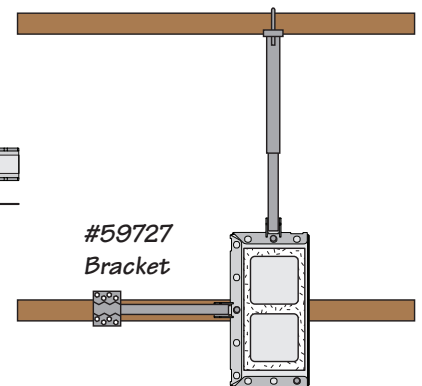


Figure 3

## Perimeter Frame Installation

1. Identify the number of systems needed using the chart provided (see page 4).
2. Identify the location where the systems will be installed.
3. Place pad on the corner of unit with the long flat lip side facing outward on the longer side.
4. Mark spots where the rods are to be installed through pad and bracket and remove pad. For perimeter beam sets; brackets go in the corner slots. (3 rods per pad as symmetrical as possible).
5. Using a hammer drill, drill a 3/4" hole approximately 6" into the asphalt at the locations where the lateral and longitudinal strut brackets, plus 3rd rod are to be attached. Slide washer on rod to crimp spot.
6. Attach the lateral strut bracket to the end of the pad facing across the end of the unit by driving rod through the bracket and into the asphalt.
7. Attach the longitudinal strut bracket to the end of the pad closest to the inside of the home using the outside hole under the beam through the bracket and into the asphalt.
8. Drive the remaining rod into pad so there are 3 rods as symmetrical as possible

### I Beam Frame Installation

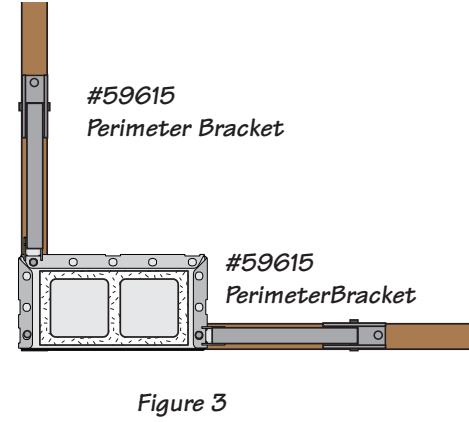
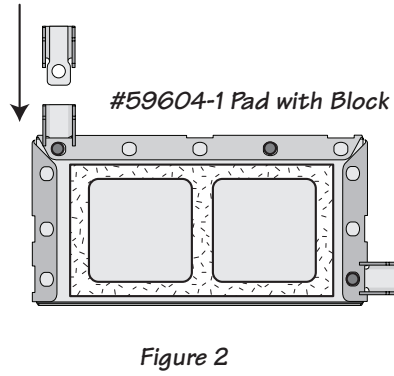
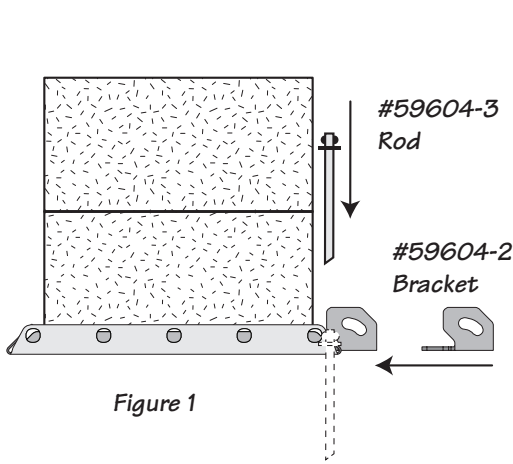
9. Install longitudinal frame clamps to I-beam on inside of block/pier. Do not tighten at this time.

### C or CR Frame Installation

9. Attach frame brackets to beam by drilling two 1/2" holes through the beam on the bottom through bracket. Attach to beams with nuts and bolts provided.

## Perimeter Frame Installation (Continued)

10. Build pier according to State, local or unit manufacturer's guidelines.
11. Size struts to assure they are no more than 50 degrees and no less than 25 degrees, (may be cut to length).
12. Attach one end of each strut to the bracket in the pad and the other end to the frame brackets with nuts and bolts provided and tighten all bolts on struts and brackets.

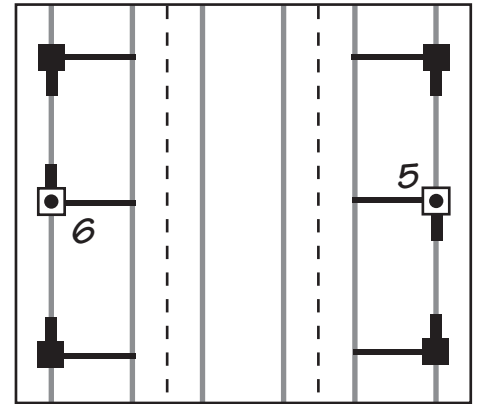
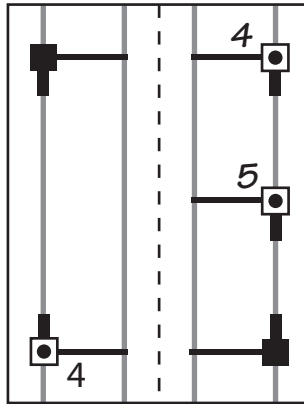
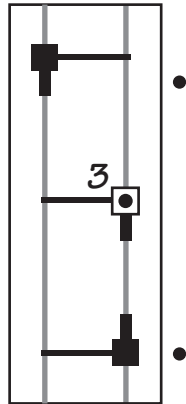


## Xi2 Standard I-Beam Pier Placement

#59367 Asphalt Anchor\* for HUD & IBC Units

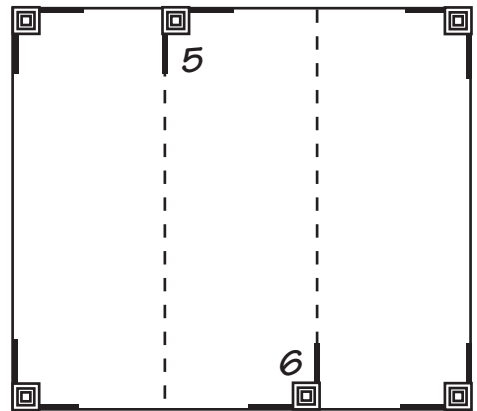
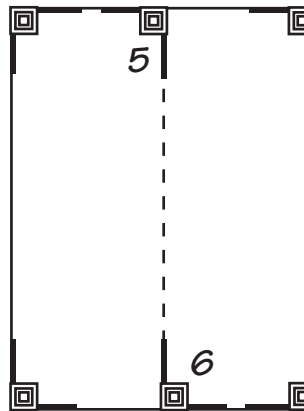
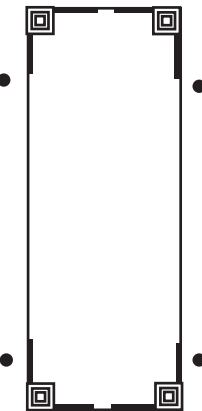


Extra System Placement (When Needed)



## Xi2 Perimeter Pier Placement

#59367 Asphalt Anchor\* for HUD & IBC Units



**HUD**  
**Number of Xi2 Systems Required**

Xi2 Asphalt System consists of Lateral and Longitudinal Stabilization.

<b>Wind Zone I</b>		<b>Wind Zone II</b>		<b>Wind Zone III</b>	
0 – 70' Box	2 Systems	0 – 40' Box	2 Systems	0 – 32' Box	2 Systems
71' – 80'	3 Systems	41' – 60'	3 Systems	33' – 48'	3 Systems
Over 80'	4 Systems	61' – 80'	4 Systems	49' – 64'	4 Systems
		Over 80'	5 Systems	65' – 80'	5 Systems
				Over 80'	6 Systems

\* Asphalt Anchor #59367 with Vertical Strap or Frame Tie within 10' of all 4 corners of Single Section units.

**IBC 2018, 115 mph, Exposure C, ASCE 7-16**  
**Number of Xi2 Systems Required**

Xi2 Asphalt System consists of Lateral and Longitudinal Stabilization.

<b>Up to 12' Wall Height</b>	<b>Single Section 16' Wide Max.</b>		<b>Double Section 32' Wide Max.</b>		<b>Triple Section 48' Wide Max.</b>	
		0 – 58' Box	2 Systems	0 – 40' Box	2 Systems	0 – 44' Box
	59' – 80'	3 Systems	41' – 64'	3 Systems	45' – 62'	4 Systems
			65' – 80'	4 Systems	63' – 78'	5 Systems
					79' – 80'	6 Systems
<b>Up to 14' Wall Height</b>	0 – 50' Box	2 Systems	0 – 60' Box	3 Systems	0 – 40' Box	3 Systems
	51' – 76'	3 Systems	61' – 80'	4 Systems	41' – 58'	4 Systems
	77' – 80'	4 Systems			59' – 74'	5 Systems
					75' – 80'	6 Systems