

## **Steel Support Pier Installation Instructions**

Please refer to the Installation instructions provided by the manufacturer, and /or State and local regulations as to the pier placement and beam spacing. Check specific load requirements for footings and pier pads along with wind zone requirements for new or used manufactured units. Steel Support Piers are designed for use as a replacement for dry stacked blocks, piers available up to a maximum of 30 inches.

1. After the unit has been put in place and leveled with the appropriate safety equipment, begin placing the piers under the main beams at manufacturers specified distance.
2. Center the Pier on the footing or pad using fasteners (4 #14 X 2" screws if required) tighten pier head with 3/4" nut below pier top so the head is tight against the beam. Part 3285.304 of the new HUD installation rule specifies that "Manufactured Pier heights must be selected so that adjustable risers do not extend more than 2" when finally positioned".

Steel Support Piers are designed and tested to vertical loads for a support rating of 6,000 lbs. Support Piers can be used under factory built structures such as manufactured homes, mobile commercial units, classrooms, multiplexes, sheds and other similar structures. They can be used in all wind zone conditions, except "Exposure D" within 1500 ft. of the coastline. Support piers are designed for use with a variety of heads to prevent movement after attachment to the beam or screwed to the marriage line; check local codes and manufacturers requirements for proper installation regulations for beam and marriage line installation.

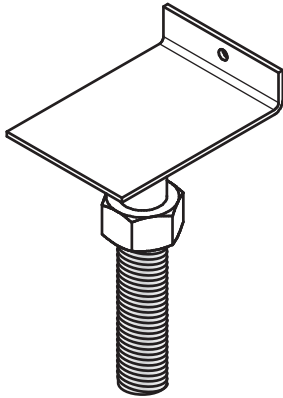
When all Support Piers are installed, remove your safety equipment and go to the next step in set up.

**Steel Support Piers Distributed by**

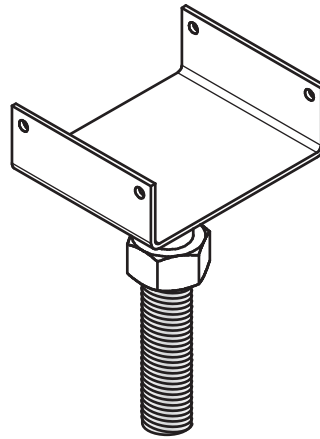
**TIE DOWN ENGINEERING • Atlanta, GA 30336**  
**www.tiedown.com (404) 344-0000**



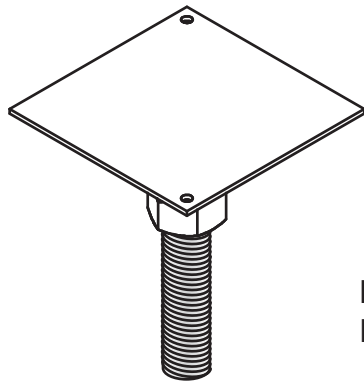
## *Steel Support Piers and Heads for the Manufactured Housing Industry*



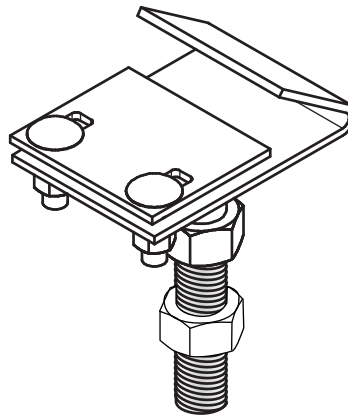
**"L" Top Head**  
Part #MPH01



**Saddle Top Pier Head**  
Part #MPH02



**Flat Top Pier Head**  
Part #MPH04

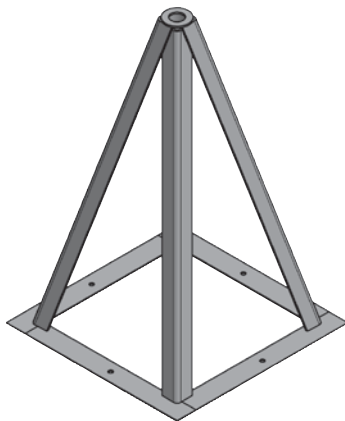


**Beam Hook Top  
Pier Head**  
Part #MPH06

### **Steel Support Piers- 6,000 lb. Capacity Listing #BSK1050**

**MH Support Pier**

- 8" MPP8
- 10" MPP10
- 12" MPP12
- 14" MPP14
- 16" MPP16
- 18" MPP18
- 20" MPP20
- 22" MPP22



**Braced MH Support Pier**

- 24" MPP24
- 26" MPP26
- 28" MPP28
- 30" MPP30

