

TranzSporter Wall Jack Operating Instructions

Read these instructions entirely before using TranzSporter Wall Jacks.



TranzSporter Wall Jacks by Tie Down Engineering are designed to easily lift prefabricated walls into a vertical position. Each individual 16' Wall Jack is capable of lifting 1,000 lbs with a maximum wall height of 10' 6". TranzSporter Wall Jacks are also available in a 20' and 23' model.

The maximum weight capacity for the 20' and 23' models is 500 lbs (per each jack); the 20' model can lift a wall with a height of 13' 6" while the 23' model can lift a 15' 6" wall. TranzSporter Wall Jacks are sold in pairs. Each Wall Jack comes with a lower tube and an upper tube, which telescopes out making carrying to and from job sites more convenient. A pin is used to hold these tubes in a lifting position.

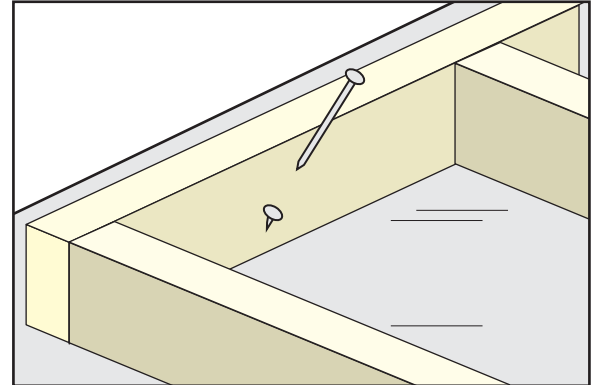


Figure 1

1) Framing for Tilt Up With TranzSporter Wall Jacks

In order to keep the framed wall from sliding off of the sub floor during the lifting procedure, there are two techniques available.

- A) Toe nail the lower plate to the sub floor on the upper side (Figure 1).
- B) Use a metal strap nailed down.

2) Positioning The Wall Stop

The wall stop holds the framed wall in a standing position after it has been lifted (Figure 2). The stop should be set and tightened prior to lifting. For the correct placement of the wall stop use the chart on the lower wall jack tube or on page 3 (measurement is from the jack foot to the wall stop). The correct placement of the wall stop may also be calculated using the equation: Example: $108'' \text{ wall} \times 1.45 = 156.60''$ or 13'



Figure 2

2A) PIN

Make sure that the pin has been inserted through the holes of both square tubes prior to hoisting the wall (figure 3). Secure pin by attaching safety clip

2B) Wall Height Maximum

Important! Reference the chart placed on the lower tube. The maximum height you can lift for your particular TranzSporter Wall Jack is listed.

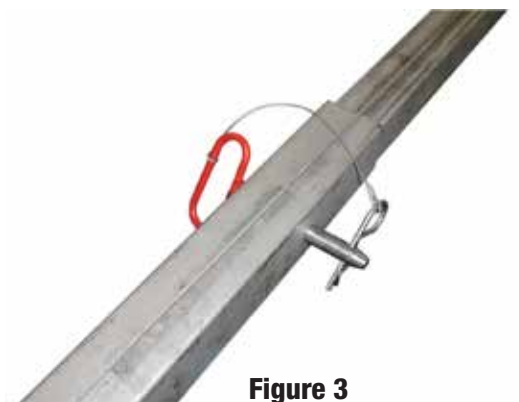


Figure 3

2C) Cable Care

The cable installed is 5/32", 7 x 19 grade aircraft cable; the breaking strength is 2,800 lbs with a safe working load limit or 560 lbs.

Inspect cable before, during and after use to insure that there are no kinks or broken strands. Cable should be replaced if damage or broken strands appear. Keep cable clear of wall stop and any other obstruction that may cause cable damage.



Figure 4

3) Securing the Lifting Wall Bracket

Before positioning the Wall Jacks, use a pry bar to raise the top plate of the wall. Place the Lifting Wall Bracket under the top plate and use four heavy nails to secure it (figure 4). Wall Jack Lifting Brackets should be located close to the Wall Jack

4) Positioning the Jacks and Fastening for Lifting

The number of Wall Jacks required varies depending on the weight and length of the wall. A pair of jacks can lift a wall up to 70'. If the wall is longer or the weight exceeds the capacity of the jacks, another Wall Jack may be required. Wall Jacks should be spaced so that a little more than 50% of the wall is between the Wall Jacks.

After the above Lifting Wall Bracket has been nailed to the top plate, position the Wall Jack closely to the Wall Lifting Bracket (figure 6). Nail the Wall Jack Foot to the sub floor using 4 nails as shown in figure 5. A double head nail may be used for easy removal.



Figure 5

Lifting should be done evenly, both operators should lift with uniform timing; this will allow for an efficient and smooth wall lift. The Jacks should rest on the top plate as the wall is being lifted.

***Do not allow anyone under the wall or on the backside of wall during the lifting process.**

4A) Vertical Position

As the wall is raised to the 90-degree position, allow one jack to go to 90 degree angle before the other jack. Use caution when raising the wall, do not winch the jacks beyond the 90 degree angle (figure 7).

4B) Securing the Wall

After the wall is in a vertical position, secure it using TranzSporter's adjustable wall braces or suitable secure bracing.



Figure 6



Figure 7

5) Specifications:

	16'	20'	23'
Extended Length:	16'	20'	23'
Part Number:	48581	48582	48583
Closed Length:	9'6"	11' 6"	12' 6"
Weight:	50 lbs	70 lbs	80 lbs
Wall Lift:	7' to 10'-6"	8' to 13'-6"	8'-3" to 15'-6"
Capacity:	2,000 lbs per pair	1,000 lbs per pair	1,000 lbs per pair

Wall Stop Settings (From foot to wallstop)

Wall	Stop Height
8'	11' 7"
8' 6"	12' 3"
9'	13'
9' 6"	13' 9"
10'	14' 6"
10' 6"	15' 2"

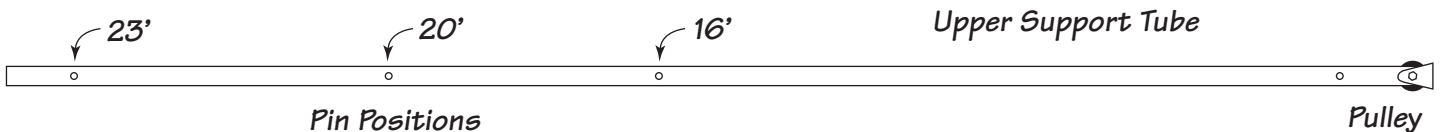
Wall Stop Settings (From foot to wallstop)

Wall	Stop Height
11'	15' 11"
11' 6"	16' 8"
12'	17' 4"
12' 6"	18' 1"
13'	18' 10"
13' 6"	19' 7"

Wall Stop Settings (From foot to wallstop)

Wall	Stop Height
13'	18' 10"
13' 6"	19' 7"
14'	20' 3"
14' 6"	21'
15'	21' 9"
15' 6"	22' 5"

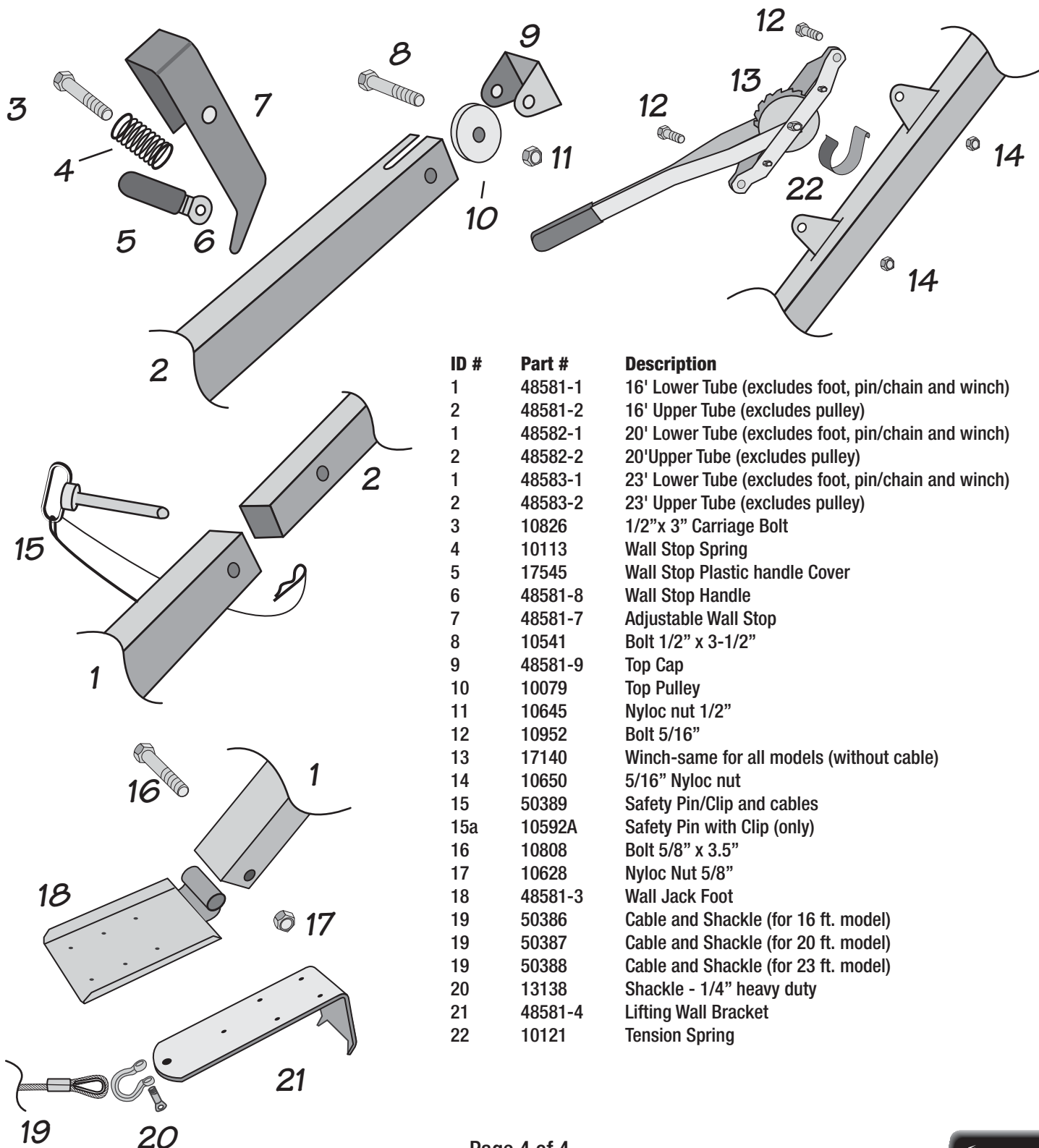
NOTE: The 23' TranzSporter Wall Jack (48583) may adjust to lift walls 8' 3" to 15' 6" in height. The diagram below shows the correct position for adjusting the #48583 to a 16', 20', or 23' extended length. Insert the pin after selecting the extended length required and attach safety clip (Figure 3). See the specification section for wall stop settings based on your wall height and extended length.



WARNINGS

Before operating, read the instruction manual included with this Wall Jack. Prior to erecting any walls, review the below important precautions:

- Always use 2 or more wall jacks. Make sure that the jacks are located correctly; slightly more than 50% of the wall is between the jacks.
- Insure that the weight of the wall does not exceed the capacity rating of the Wall Jack.
- The safety pin must be inserted through holes on both sides of the tube.
- Wall stops must be correctly set to insure that the wall will be secure when raised to the vertical position.
- Inspect cable and verify that there are no frayed or broken strands, cuts or any other damage.
- Insure that the cable does not rub against the wall stop or any other part of the wall jack as well as any other apparatus in the work area.
- Wall Lifting bracket must be properly nailed to the top plate of the wall.
- Wall Jack Foot must be properly nailed to the floor in order to avoid slippage during the lifting process.
- Bottom plate of the wall must be secured using metal strapping to prevent wall from slipping.
- Wall jacks positioning should be perpendicular to the bottom plate of the wall. Do not allow anyone to walk under the wall during lifting as well as the backside of the wall.
- Always follow building and safety codes for your area.



ID #	Part #	Description
1	48581-1	16' Lower Tube (excludes foot, pin/chain and winch)
2	48581-2	16' Upper Tube (excludes pulley)
1	48582-1	20' Lower Tube (excludes foot, pin/chain and winch)
2	48582-2	20' Upper Tube (excludes pulley)
1	48583-1	23' Lower Tube (excludes foot, pin/chain and winch)
2	48583-2	23' Upper Tube (excludes pulley)
3	10826	1/2"x 3" Carriage Bolt
4	10113	Wall Stop Spring
5	17545	Wall Stop Plastic handle Cover
6	48581-8	Wall Stop Handle
7	48581-7	Adjustable Wall Stop
8	10541	Bolt 1/2" x 3-1/2"
9	48581-9	Top Cap
10	10079	Top Pulley
11	10645	Nyloc nut 1/2"
12	10952	Bolt 5/16"
13	17140	Winch-same for all models (without cable)
14	10650	5/16" Nyloc nut
15	50389	Safety Pin/Clip and cables
15a	10592A	Safety Pin with Clip (only)
16	10808	Bolt 5/8" x 3.5"
17	10628	Nyloc Nut 5/8"
18	48581-3	Wall Jack Foot
19	50386	Cable and Shackle (for 16 ft. model)
19	50387	Cable and Shackle (for 20 ft. model)
19	50388	Cable and Shackle (for 23 ft. model)
20	13138	Shackle - 1/4" heavy duty
21	48581-4	Lifting Wall Bracket
22	10121	Tension Spring