

TIE DOWN

S A F E T Y

STAYSAFE Sanitizer Station

Model #71041

Introducing the portable, foot operated hands free StaySafe Sanitizer Station.
Your survival kit to post lock down business life!

- No Touch & Hands Free
- Foot Pedal Operated
- Adjustable Tray Fits up to One Gallon Sized Bottles
- Powder Coated Steel Body
- Durable, Steel Construction
- Minimal Floor Space
- Ideal for Wet or Dry Environments
- Open Design for Easy Clean Up
- Portable and Lightweight
- Made in the USA



STOP
CORONAVIRUS

MADE
*IN THE
USA

TIE DOWN
MANUFACTURING INGENUITY

404-344-0000 • www.tiedown.com
605 Stonehill Drive SW, Atlanta, GA 30336
sales@tiedown.com

TIE DOWN

S A F E T Y

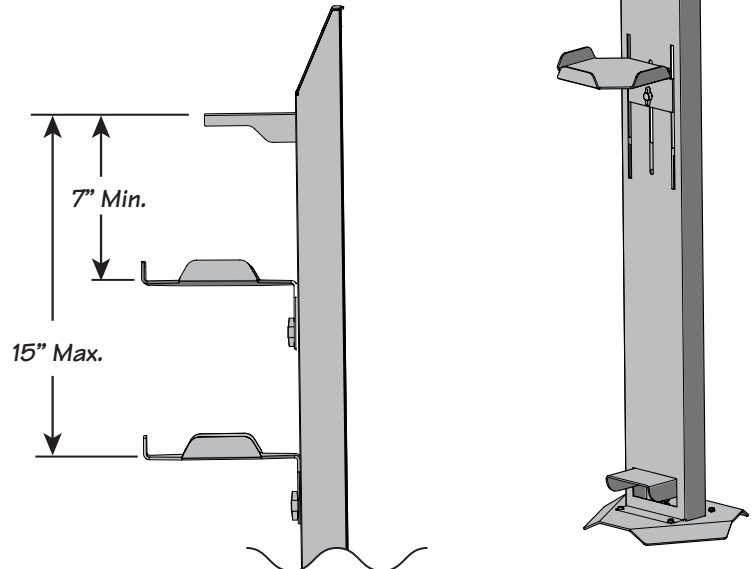
STAYSAFE Hand Sanitizer Station Part #71041

The StaySafe Hand Sanitizer Station from Tie Down, is a durable, lightweight powder coat steel hands free dispenser.

The foot activated dispenser works with various types of sanitizers. It can also be used in wet or dry environments.

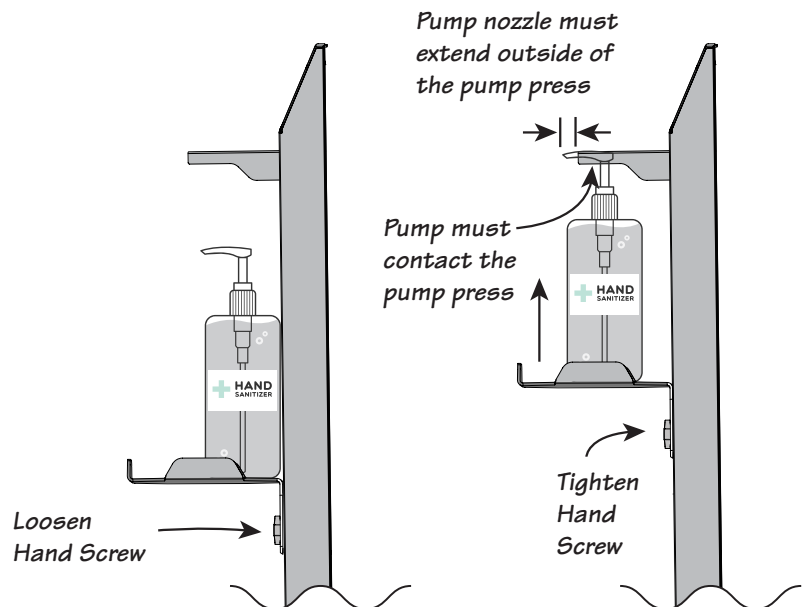
StaySafe is maintenance free and does not require and electrical outlets.

Come assembled. Unpack the StaySafe and it's ready to use. You can use StaySafe with liquid, gels, or foam sanitizers.



Adding or Replacing Sanitizer is Quick and Easy!

- Select the sanitizer of your choosing and insert into the tray.
- Configure the adjustable tray to accommodate the sanitizer of your choice.
- Tighten adjustable tray.
- Position the sanitizer bottle so the pump nozzle is just outside of the pump press.
- Place the StaySafe Sanitizer in your desired location.



Any questions please call Customer Service at (404) 344-0000.



On-line
Instructions

**MADE
IN THE
USA**

TIE DOWN
MANUFACTURING INGENUITY

Safety Products Division
605 Stonehill Drive SW, Atlanta, Georgia 30336
404-344-0000 • www.tiedown.com
ISO 9001:2015 Certification
Intellectual Property of TIE DOWN Inc. ©2020 TIE DOWN, Inc.
Instruction #08352 (E1778 Rev. 7/20/20)