

## COMMERCIAL ROOF ANCHORS

The Commercial Roof Anchors (CRA's) are designed for a number of applications including fall arrest and fall restraint and as window washing tiebacks. The CRA's install into metal, wood and concrete.

### Typical Usage:

Roof Anchors must be installed and spaced a maximum of 20 ft. apart. Installation around the perimeter of the leading edge areas is recommended to ensure compliance and allow the user to easily switch from anchor to anchor.

### OSHA Compliance:

New OSHA Rule in affect: Walking-Working Surfaces, 1910.28, please consult this as well as all local, State and Federal OSHA rules. When used according to instruction specifications, this product meets or exceeds all applicable OSHA 1926 Subpart M, OSHA 1910, ANSI Z359.1-2007, and ANSI A10.32-2012 standards for fall protection. Consult regulatory agencies for more information on personal fall arrest systems and associated components.

### Minimum Requirements:

**Wood Decking:** The anchor must be installed in the center of a plywood sheet that is 48"x 48" and is secured to at least 3 top trusses. Minimum thickness of plywood decking is 1/2" with 3/4" backer. Attach the anchor to the wood deck using 40 #14 x 2.5" self tapping hex head screws.

**Metal Decking:** The roof structure with steel decking that the roof anchor is to be installed onto must meet the minimum strength of 5,000 lbs. The steel decking material must be a minimum of 20 gauge. Attach the anchor to the metal deck using 40 #14 x 2.5" self tapping hex head screws.

**Concrete:** Concrete must have a minimum thickness of 4" and be rated at 2,000 psi. min. Wedge anchors rated at 6,000 lbs. The concrete must be fully cured to withstand the required 5,000 lb. load before using.



**Commercial Roof Anchor #48601**  
16" x 16" Square Base x 18.37" Over All Height

**MADE**  
★IN THE★  
**USA**

See reverse side for  
additional specifications



**COMMERCIAL ROOF ANCHORS**

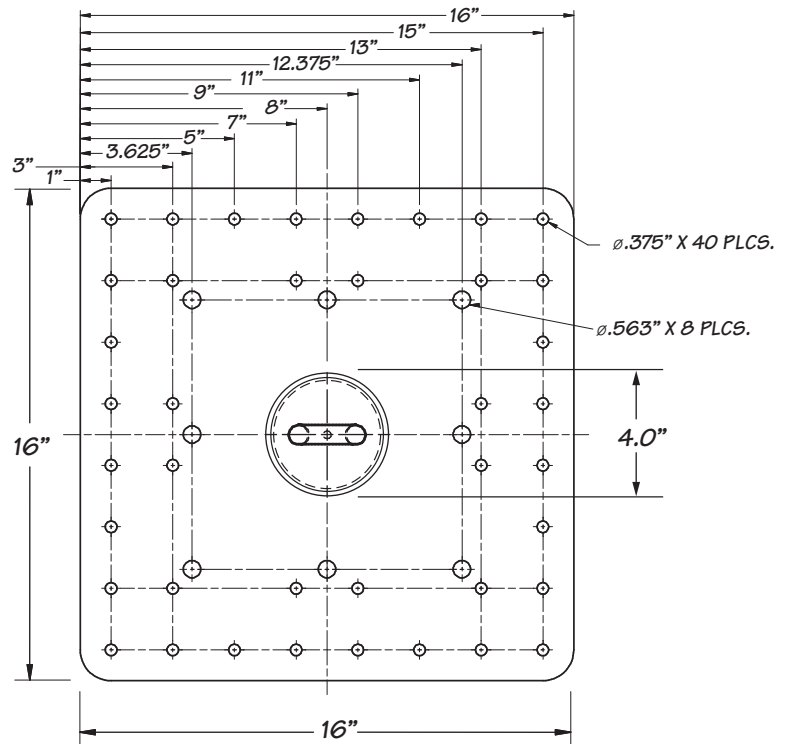
**Fastening Materials:**

**Metal & Wood Decking:**

40 pcs #14 x 2.5" Type "A" Milled Point Deck Screws  
(Supplied with Anchor)  
Strength Rating: 5,000 lbs

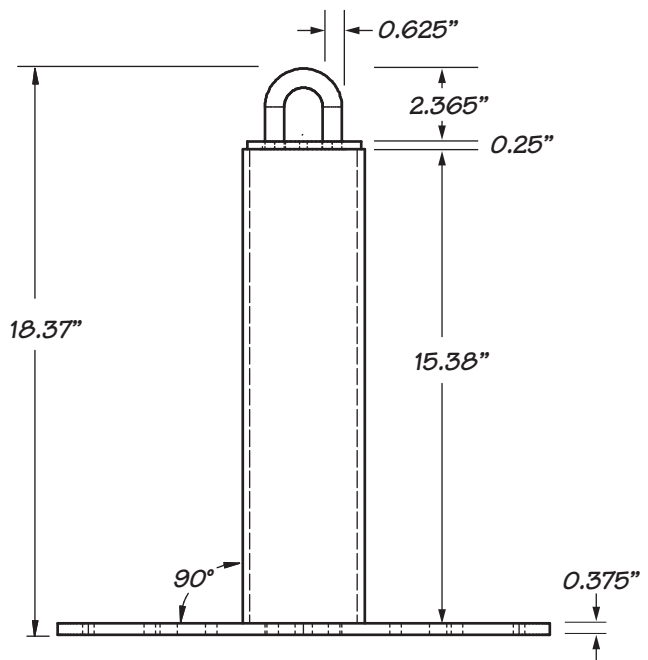
**Concrete:**

Use 8 - 1/2" Wedge Anchors  
(not supplied)  
Strength Rating: 6,000 lbs



**Commercial Roof Anchor #48601**

Welded Steel Galvanized Anchorage Device  
U-rod Cross Section: .625"  
Base Thickness: 3/8"  
16" x 16" Square Base x 18.37" Over All Hight



**MADE**  
★IN THE★  
**USA**

E1611 Rev. 10/1/19