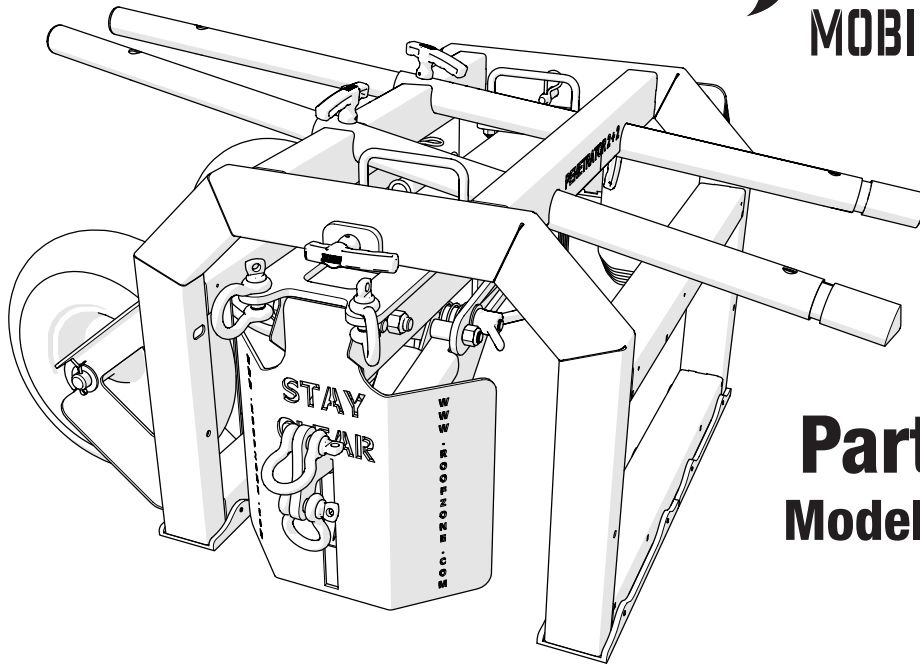




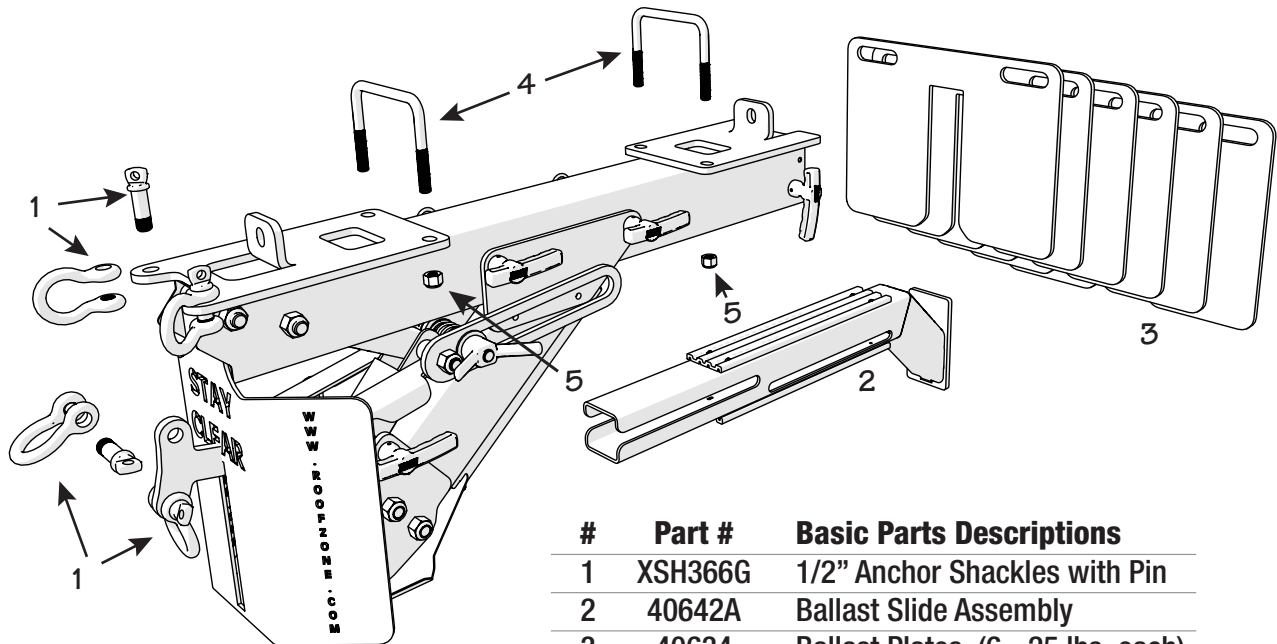
# PENETRATOR 2+2

## MOBILE FALL PROTECTION



### Parts List Model #40640

#### Penetrator 2+2 Basic Components - Parts List



#	Part #	Basic Parts Descriptions
1	XSH366G	1/2" Anchor Shackles with Pin
2	40642A	Ballast Slide Assembly
3	40634	Ballast Plates (6 - 25 lbs. each)
4	84433-1Z	U-bolt
5	10645	Nylock Nut

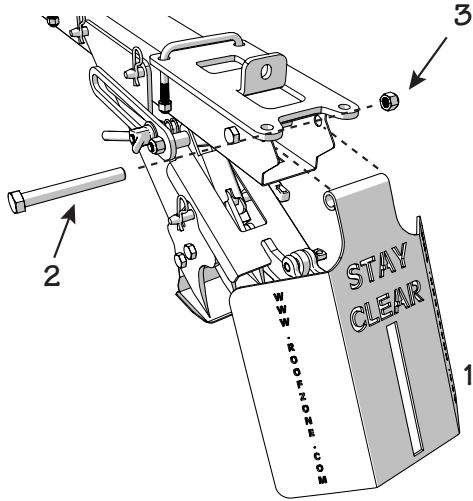
Instruction #08283  
Rev. 4-27-17

**TIE DOWN ENGINEERING • Atlanta, GA 30336**  
**www.tiedown.com (404) 344-0000**



042717, E1510

## Face Plate - Parts List

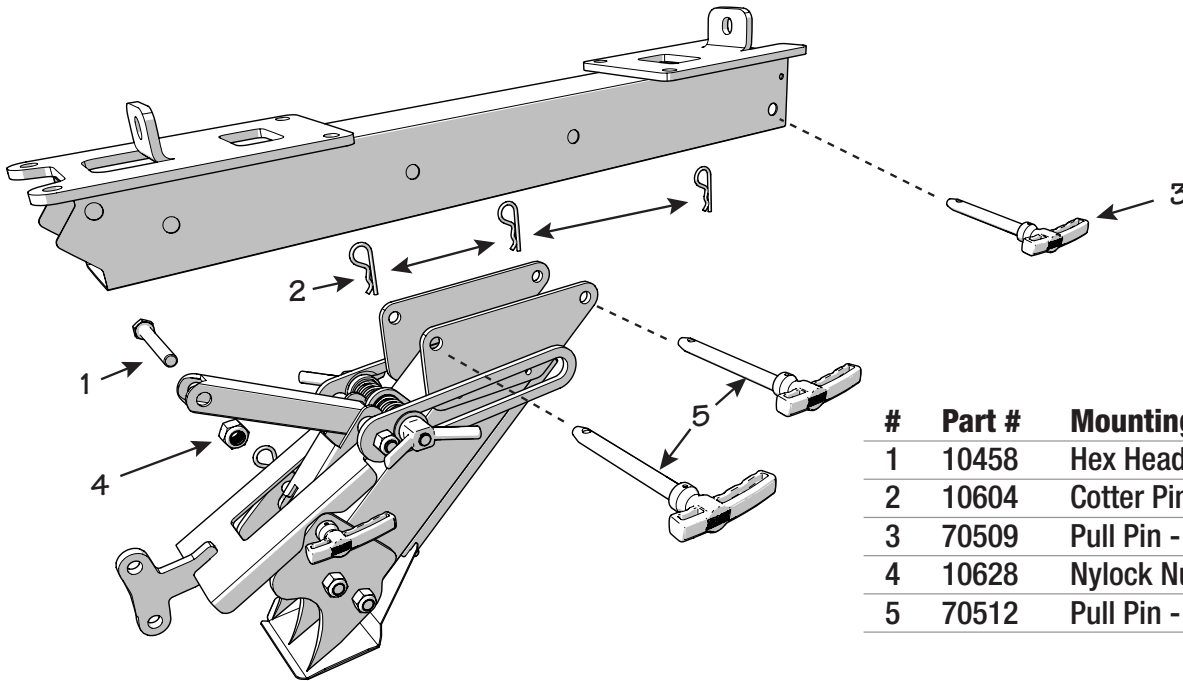


# PENETRATOR<sup>2+2</sup>

## MOBILE FALL PROTECTION

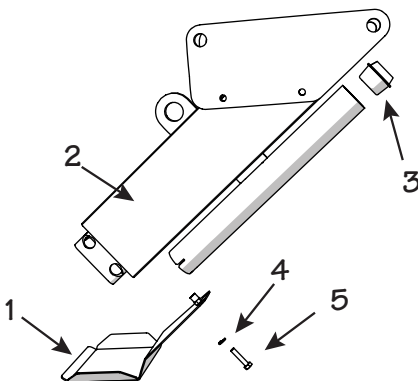
#	Part #	Face Plate Part Descriptions
1	40626	Front Guard Plate
2	10458	Hex Head Bolt - 5/8"-11 x 5"
3	10628	Nylock Nut - 5/8"-11

## Mounting Frame Components - Parts List



#	Part #	Mounting Frame Descriptions
1	10458	Hex Head Bolt - 5/8"
2	10604	Cotter Pin 111-20
3	70509	Pull Pin - 5/8" x 3"
4	10628	Nylock Nut - 5/8"-11
5	70512	Pull Pin - 5/8" x 4"

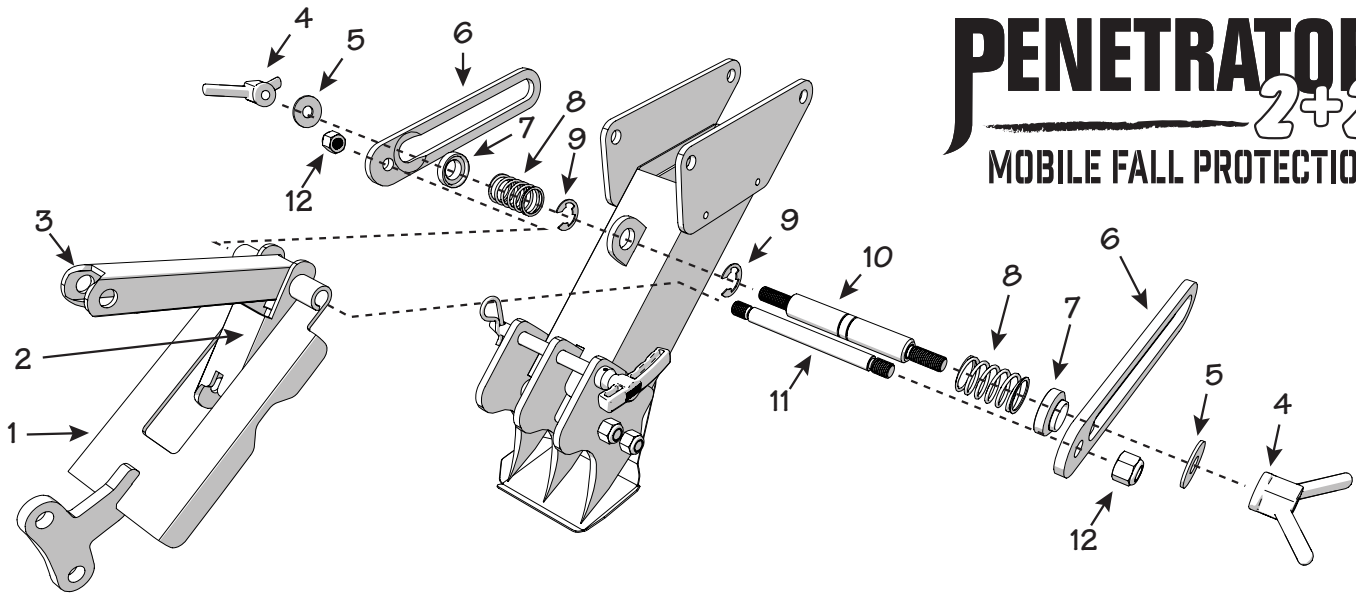
## Safety Shield Components - Parts List



#	Part #	Safety Shield Part Descriptions
1	40636	Spike Safety Guard Shield
2	40622	Outer Spike Engagement Tube
3	17514	Insert Plug
4	12177	Split Washer
5	10814	Hex Head Bolt - M6 x 1" x 30 mm.

## Cartridge Chute Components - Parts List

**PENETRATOR**  
2+2  
MOBILE FALL PROTECTION

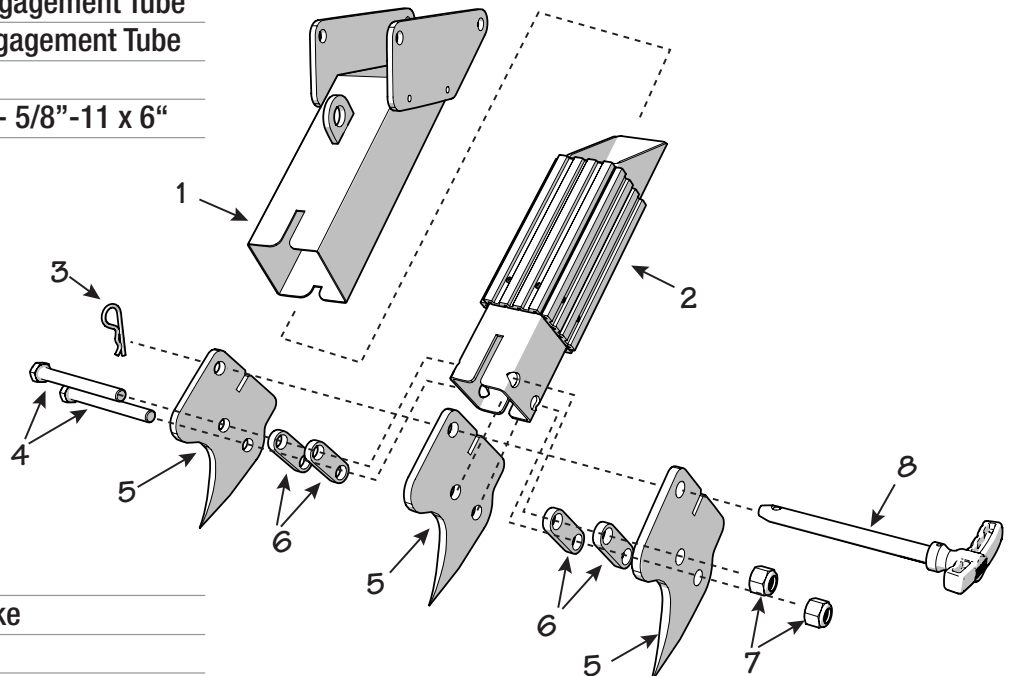


#	Part #	Cartridge Chute Part Descriptions
1	40641	Penetrator 2+2 Horizontal Pull Bracket
2	40625	Penetrator Short Link
3	40624	Penetrator Long Link
4	48683	Wing Nut - 5/8" - 11
5	10513Z	Flat Washer
6	40628	Penetrator Retaining Slide Bar

#	Part #	Cartridge Chute Part Descriptions
7	40629	Spring Lock Bushing
8	10132	Compression Spring
9	10800	Snap Clip
10	40630	Dual End Shoulder Bolt 1"
11	40631	Dual End Shoulder Bolt 5/8"
12	10628	Nylock Nut - 5/8" - 11

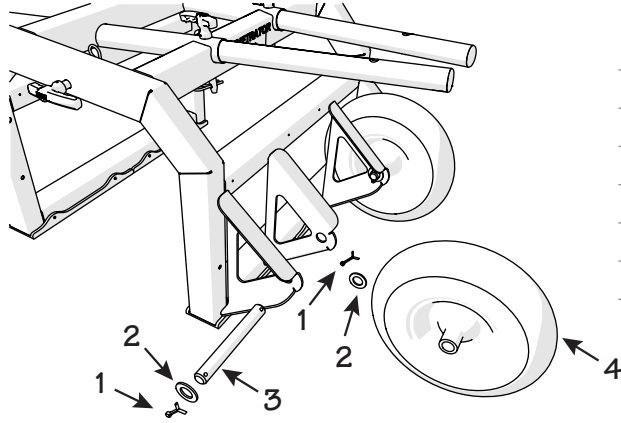
## Spike Cartridge Components - Parts List

#	Part #	Spike Cartridge Descriptions
1	40622	Outer Spike Engagement Tube
2	40627	Inner Spike Engagement Tube
3	10604	Cotter Pin
4	10459	Hex Head Bolt - 5/8"-11 x 6"



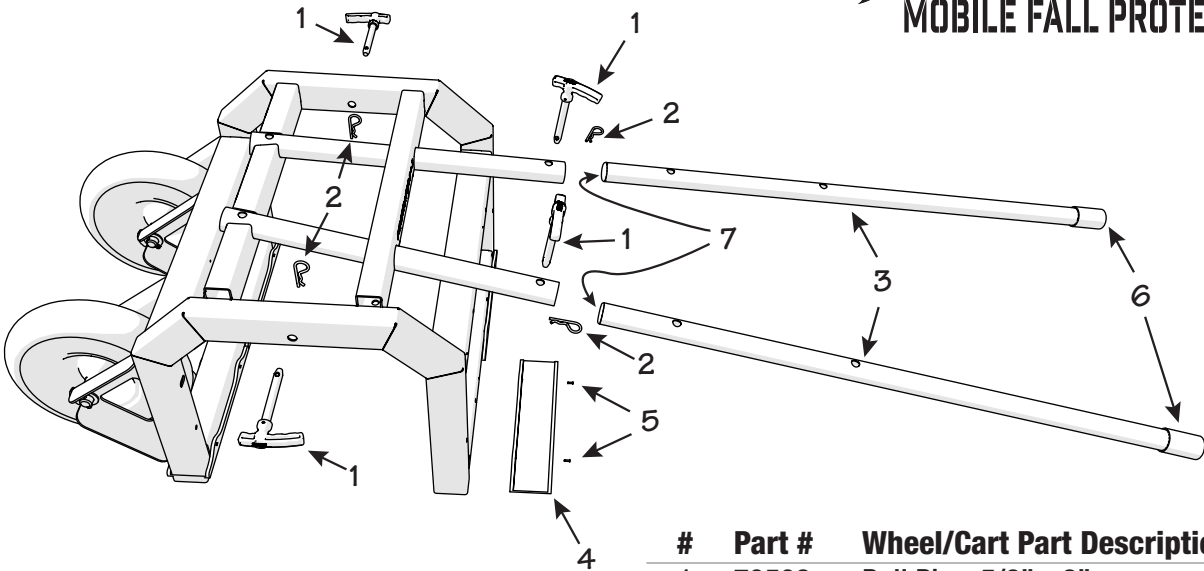
5	40632	Penetrator Spike
6	40635	Spike Spacer
7	10628	Nylock Nut - 5/8" x 11
8	70513	Pull Pin - 5/8" x 5"

# Penetrator 2+2 Cart Components - Parts List



#	Part #	Wheel/Cart Part Descriptions
1	10691	Cotter Pin
2	10520Z	Washer
3	40643	Roller Shaft
4	13840	No Flat Tire

## PENETRATOR 2+2 MOBILE FALL PROTECTION



#	Part #	Wheel/Cart Part Descriptions
1	70509	Pull Pin - 5/8" x 3"
2	10604	Cotter Pin 111-20
3	40638	Lift handles with end caps/covers
4	48650B	Non-skid ABS Pad
5	N/A	Reverts (Available at your local hardware)
6	59230	Plastic End Caps
7	17509	Plastic End Plugs



### Roof Zone is a Division of **TIE DOWN ENGINEERING**

Atlanta, Georgia 30336  
800-241-1806 • 404-344-0000  
ISO 9001:2008 Certification

Trade, brand names and drawings are the intellectual property of  
TIE DOWN ENGINEERING. ©2017 TIE DOWN, Inc.  
Instruction #08283 (E1448 Rev. 4-27-2017)

