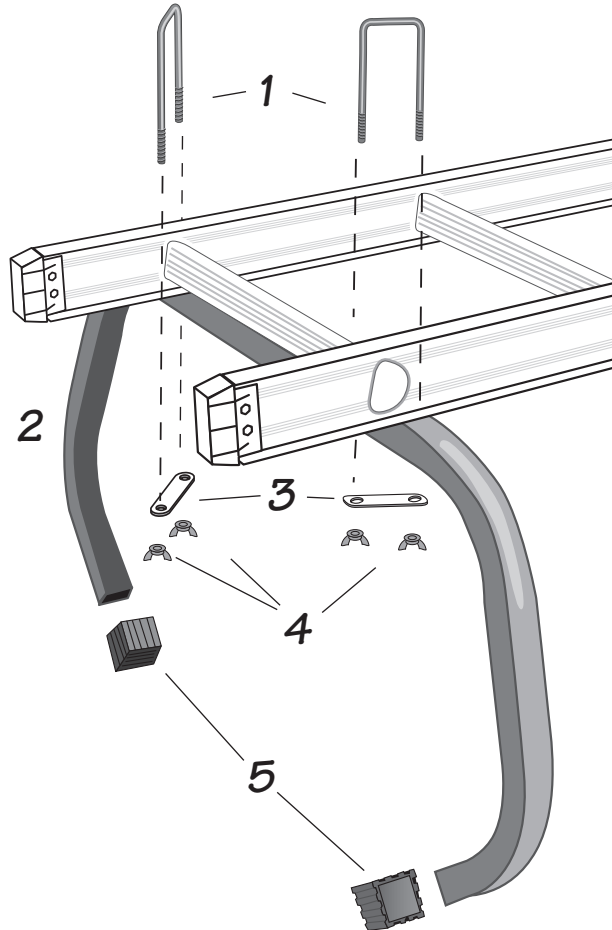
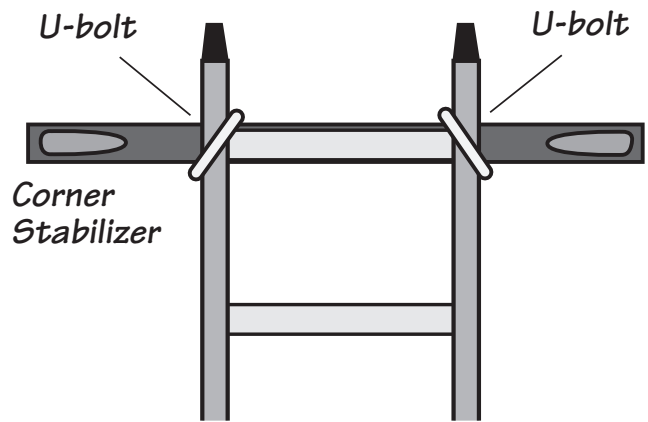




# Corner Stabilizer #48586 Assembly and Operating Instructions



#	Description	Qty.
1	U-Bolts	2
2	Corner Stabilizer	1
3	Mounting Brackets	2
4	Wing Nuts	2
5	End Caps	2



## Assembly instructions

1. Lay the ladder flat on the ground with the "Wall Side" down.
2. Lift the end of the ladder up and position the Corner Stabilizer in desired mounting position (under to top rung) The ladder should rest in place over the stabilizer bar.
3. Place u-bolts (1) over the side of the ladder near the ladder rung, and over the Corner Stabilizer (2) in a 45 degree angle. NOTE: Position the u-bolts so that they straddle the ladder side rail and top ladder rung as shown above right.
4. Fasten the stabilizer (2) to the inside of the ladder using two mounting brackets (3) and four wing nuts (4).
5. Hand tighten wing nuts (4).
6. Flip the ladder/stabilizer over and press the rubber end caps on the ends of the stabilizer tube. Tap the caps on with a rubber mallet if needed to assure a tight fit.

Instruction #08127

**TIE DOWN ENGINEERING • 255 Villanova Drive SW • Atlanta, GA 30336**  
**www.tiedown.com (404) 344-0000 Fax (404) 349-0401**



011711\_E1167