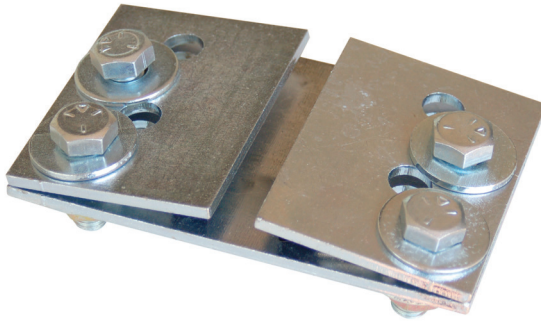
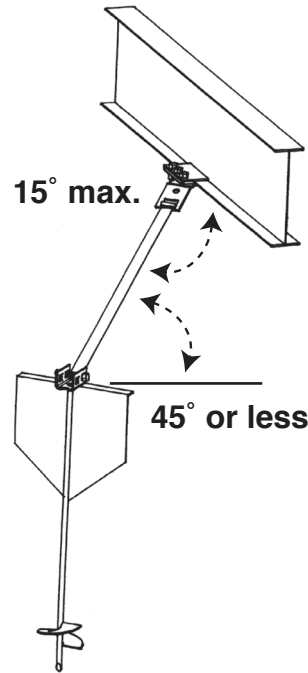


# Installation Instructions for Gator Beam Clamps



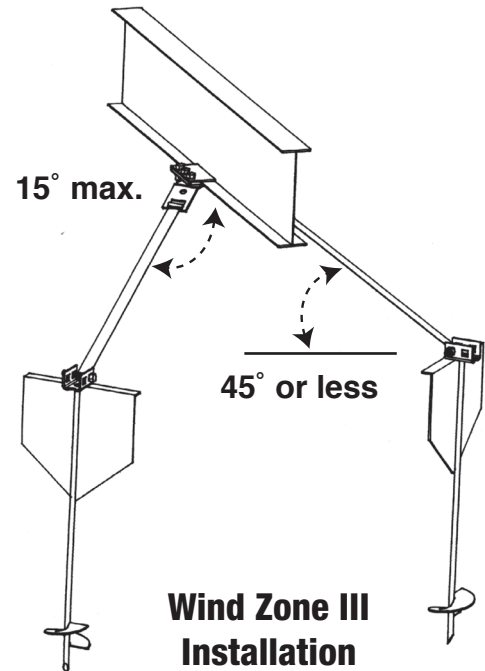
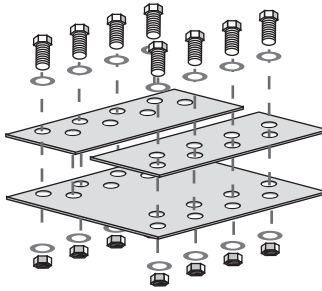
**4 Bolt Gator Clamp  
(Wind Zone I & II)  
Part #58999**



**Wind Zone I & II  
Installation**



**8 Bolt Gator Clamp  
(Wind Zone III)  
Part #59011**



**Wind Zone III  
Installation**

1. Top plates can be rotated to accommodate 3" or 4" I-beams. Position plates according to I-beam size.
2. Determine anchor/stabilizer plate location and bracket location on I-beam to insure a 45° or lower strap angle and a 15 degree maximum angle off the I-beam.
3. Attach beam clamp with 1/2" Grade 5 bolts and nuts as shown.
4. Connect swivel connector and strap to bolt nearest to anchor with a 1/2" Grade 5 bolt and nut.
5. Tighten nuts and bolts as much as possible using standard length wrenches.

D905 - Rev. 3/20/19