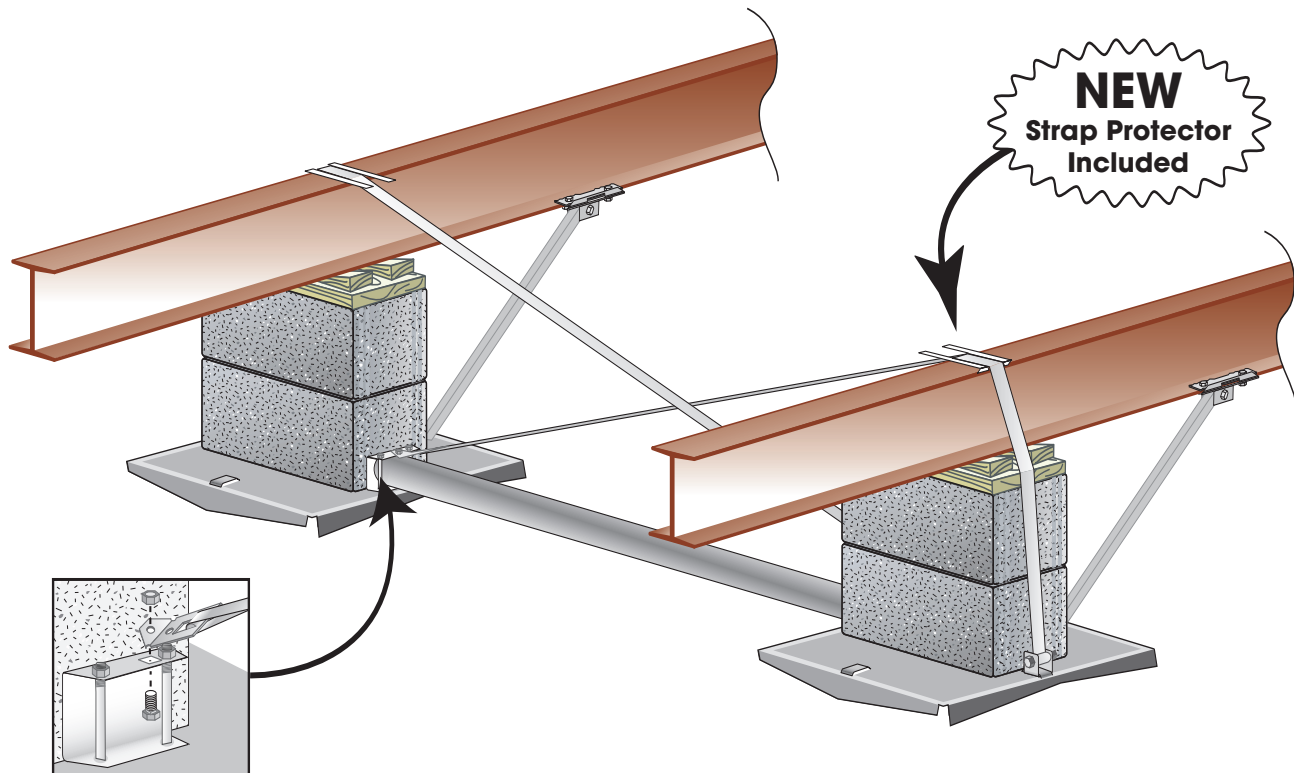


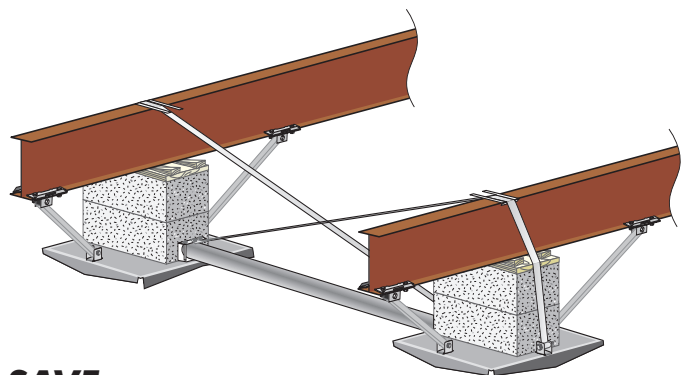
# Vector Lateral Stabilization for Florida Ground Application



## Parts required for the Vector System shown above:

- 2 - P/N 59271 - 3 Sq. Ft. Pads
- 1 - P/N 59024 - Vector Hardware Kit
- 2 - Strap w/ Swivel Connector
- 2 - P/N 59135 - Slotted Bolts
- 1 - P/N 59027 - Compression Strut
- or
- 1 - PVC 4" Pipe, Schedule 40

*Detailed parts list shown on back*

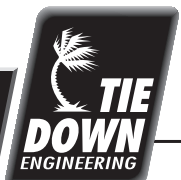


## **SAVE**

Combine the Vector lateral System with 2 LSD hardware kits (P/N 59026)...  
Save Time & Money

P/N 15379

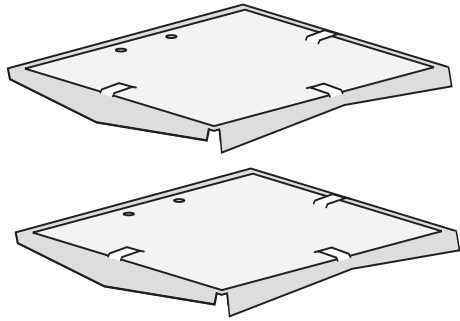
**TIE DOWN ENGINEERING • 5901 Wheaton Drive • Atlanta GA, 30336**  
**www.tiedown.com • (404) 344-0000 • FAX (404) 349-0401**



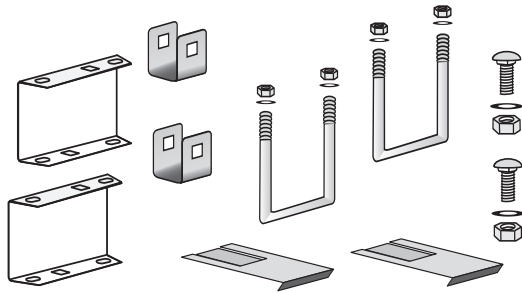
080703,66

# Vector System for *Florida* Ground Applications

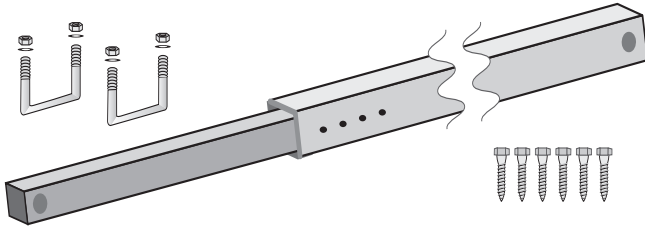
## Parts Detail List



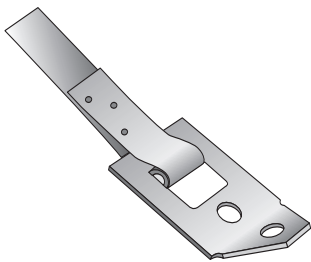
**3 Sq. Ft. Pads**  
 Part # 59271  
 2 Required for Florida



**Vector Hardware Kit**  
 Part # 59024

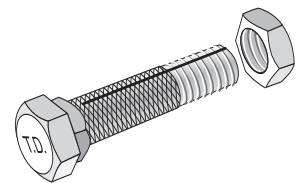


**Center Compression Strut**  
 # 48612 - Single Section, 62" - 108"  
 # 48613 - Double Section, 34" - 60"



**Tie Down Marked & Certified G120  
 Strap w/Swivel Connector**

Part #	Length
59223	12'
59224	14'
59231	16'



**Slotted Bolt**  
 Part # 59135

