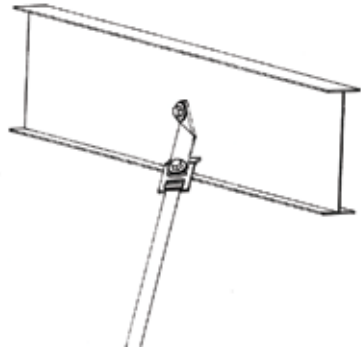




Angle Frame Bracket

For attaching longitudinal anchors to I-beam at each end of the home.
Part #59009



Step 1

Determine anchor/stabilizer plate location and bracket location on I-beam to insure a 45° or lower strap angle .

Step 2

Drill a 1/2" hole, centered in the I-beam as shown. Hole must be a minimum of 4" from any edge of the I-beam.

Step 3

Connect the two Frame Brackets (R & L) with a 1/2" Grade 5 bolt and nut for Wind Zone II & III and one frame bracket right or left for Wind Zone I.

Step 4

Attach swivel connector and strap to Angle Frame Brackets with 1/2" Grade 5 bolts and nuts. Tighten all bolts.

