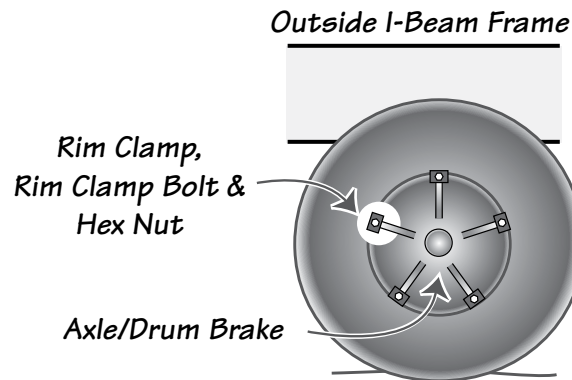


Transportation & Towing Products for the Manufactured Housing Industry by TIE DOWN

Wheel & Axle Components



Rim Clamp
1-1/4" Rim Clamp, Fits
Most Hubs with Either Lug
Bolts or Studs
Part #10875



Rim Clamp Bolts

Size	Black
1/2" x 13 x 1-5/8"	#10873
1/2" x 13 x 2-1/4"	#10876



Lug Stud
Zinc Plated
1/2" x 20 x 2" Part #11123



Lug Nuts
Zinc Plated
1/2" x 20 Part #10641

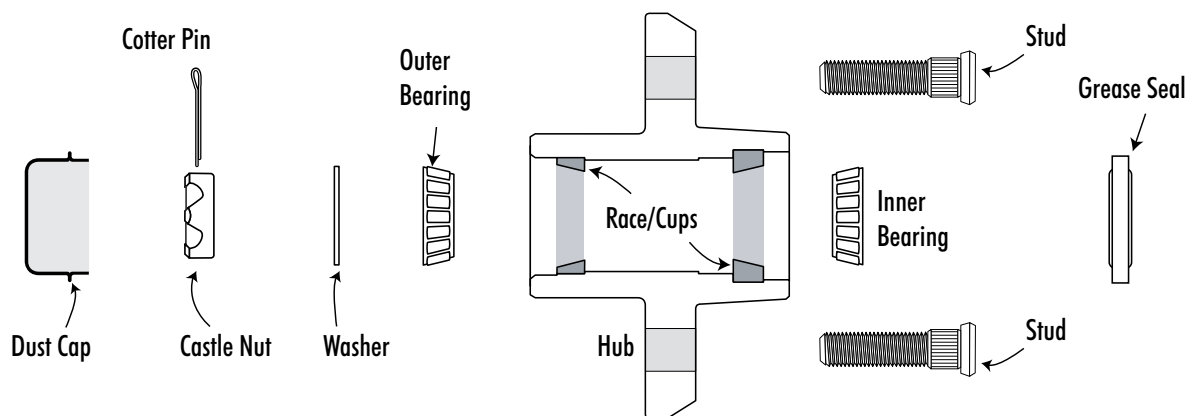


Tapered Lug Bolt
Zinc Plated
1/2" x 20 x 1-5/8" Part #10965

D1014 - 10/22/22

Transportation & Towing Products

Hub & Axle Components



Dust/Grease Caps
Part #46494



Castle Nut
Part #10665

Spindle Washer
Part #10520



Cotter Pin
Part #10560



Bearings

- Outer Bearing 1-1/4" (L67048)
Part #11058
- Inner Bearing 1-3/8" (L68149)
Part #11060
- Inner Bearing 1-3/4" (L25580)
Part #11064



Race/Cups

- For 1-1/4" Bearings (L67010)
Part #11057
- For 1-3/8" Bearings (L68111)
Part #11061
- For 1-3/4" Bearings (L25520)
Part #11067



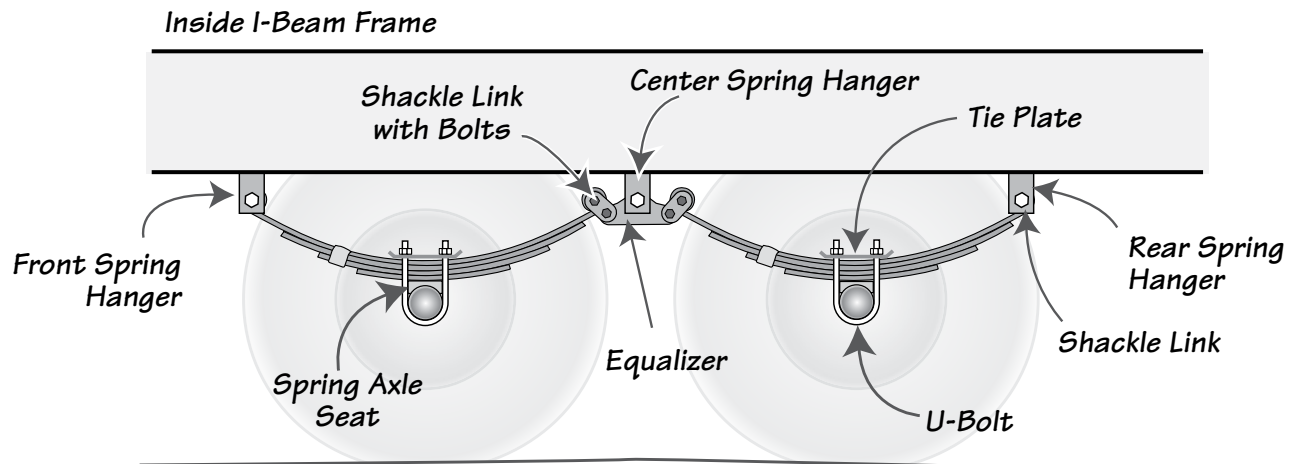
Grease Seal

- 2.52" OD - 1.688 ID
Part #11088

D1014 - 10/22/22

Transportation & Towing Products

Spring & Axle Components



Zinc Shackle Bolt
9/16" x 3"
Part #10830



Double Eye Cast Equalizers
EQ-104 Part #44018
EQ-310 Part#44055



Spring Hanger
1.44" High x 1.75" Wide
Part #17013
3.344" High x 2.0" Wide
Part #44415



Zinc Shackle Link
1.25"W x 2.125" (hole to hole) X 3.75"L
Part #44536

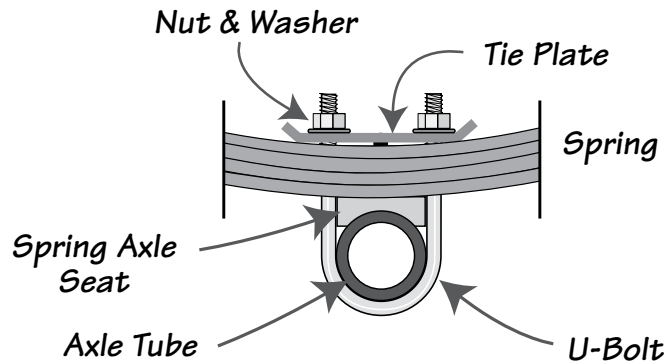


Zinc Shackle Nut - 9/16"
Part #10688

D1014 - 10/22/22

Transportation & Towing Products

Spring & Axle Components



U-bolts

1/2" x 6.5" Long for 3" dia. tube
Part #10831
1/2" x 7.12" Long for 3" dia. tube
Part #10832



Hex Head Nuts

1/2" Zinc
Part #10643



Zinc Washers

Part #10019



Spring Tie Plate

3" Axle Tie Plate
Part #17114



Spring Axle Seat

3" Axle Seat
Part #17121

D1014 - 10/22/22