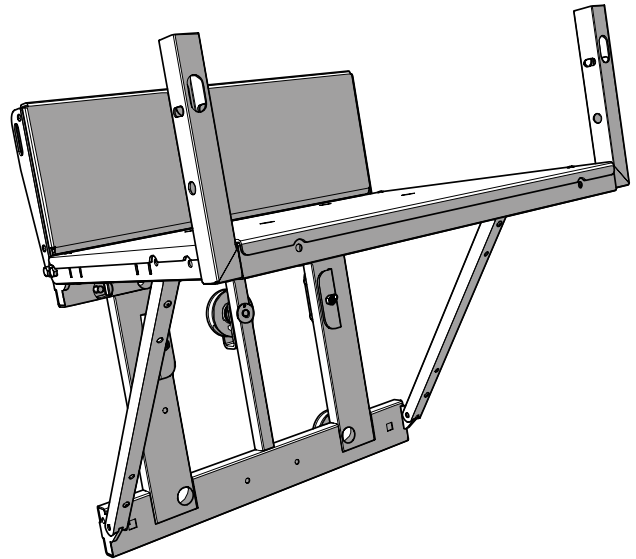


TranzSporter

www.tranzsporter.com

TP400 Carriage Assembly Manual



**Read this manual before using this product.
Failure to follow the instructions and safety precautions in this
manual can result in serious injury or death.
Keep this manual in a safe location for future reference.**

Congratulations

You've purchased a roofing hoist manufactured by TIE DOWN ENGINEERING. All of hoist products are easy to assembly and is solidly built in USA and tested to ensure years of service.

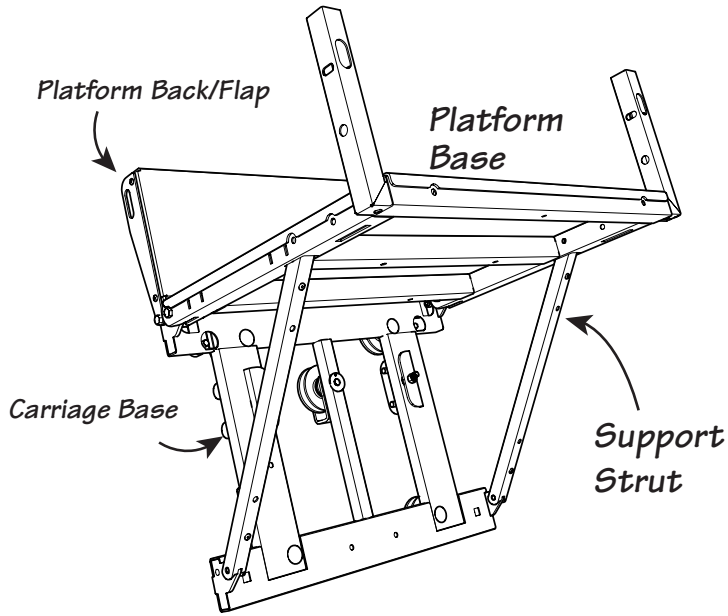
Before You Begin

We've included this easy to use instruction sheet to ensure quick, easy assembly of your carriage platform. Be sure to read the instructions (a time saver in the long run). Identify all parts and hardware.

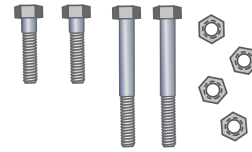
Questions?

We're here to help, just call 800-241-1806. For faster service, have your model and serial number ready when calling.

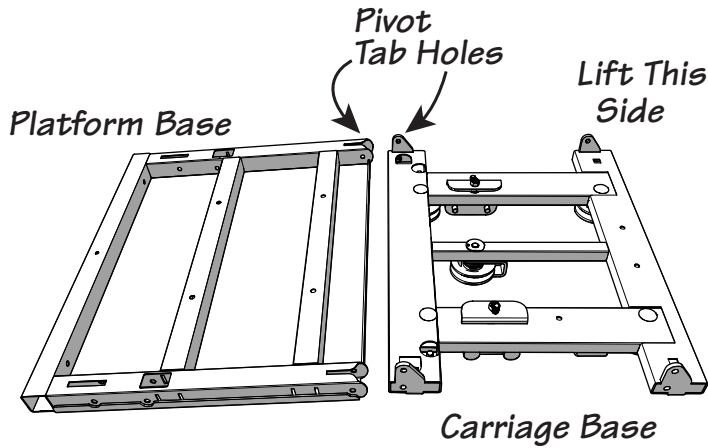
TP400 Carriage Parts Description List



Description	Qty.
Platform Back Flap	1
Platform Base	1
Carriage Base	1
Support Struts w/Pins	2
Plywood Brackets w/Pins	2
5/16" -18 x 2" Bolt	2
5/16" -18 x 1" Bolt	2
5/16" Nyloc Nuts	4



TP400 Carriage Assembly Instructions



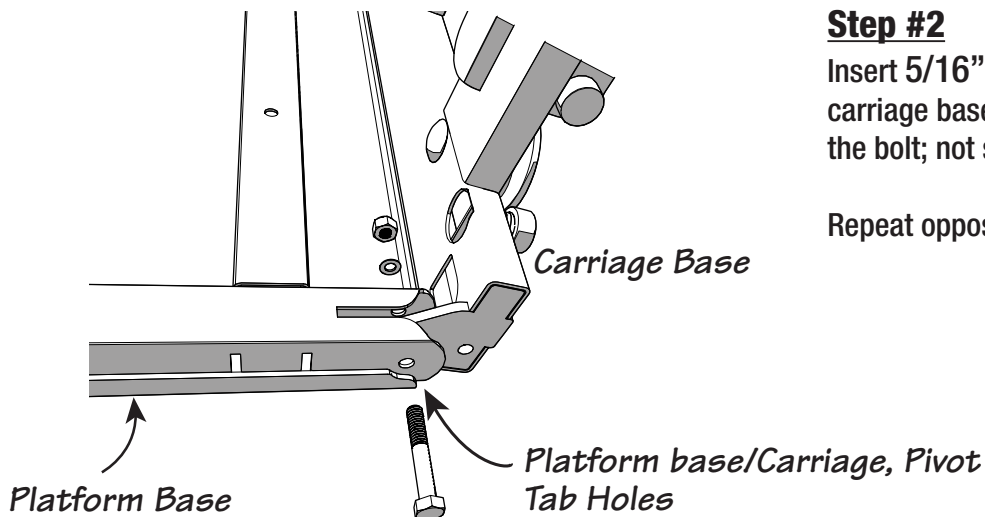
Step #1

Place the Carriage Base (wheels down) and Platform Base (Smooth flat top down) on a hard flat surface. Lift carriage base on one end (shown left) so the pivot tab holes align with each other.

Step #2

Insert 5/16" x 2" Bolt through platform and carriage base tab holes Tighten nyloc nut with the bolt; not so tight as to prevent free movement.

Repeat opposite side.



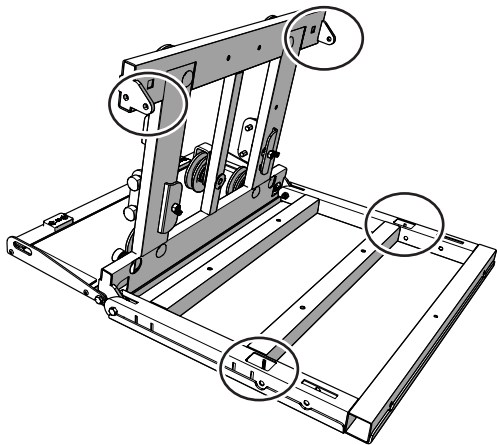
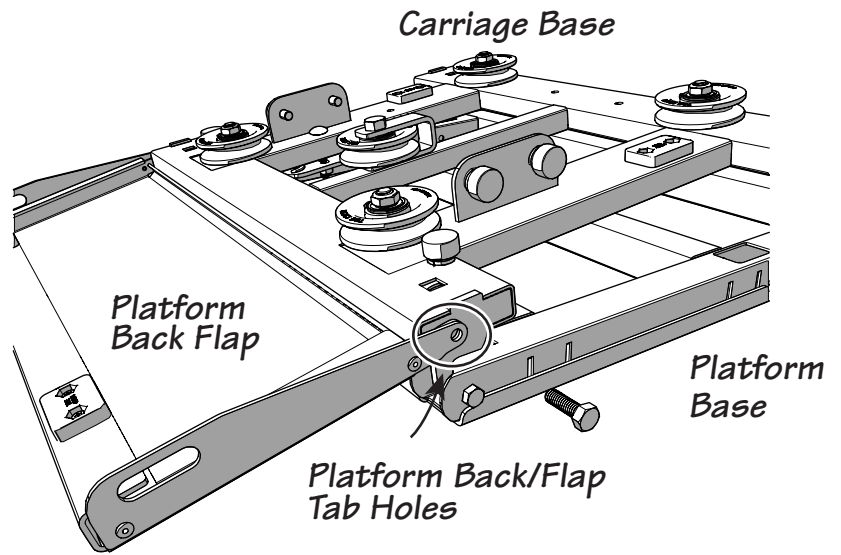
Step #3

Flip the carriage base over so that it lays flat on top of the carriage base

Align the platform back/flap tap holes with the carriage holes.

Insert 5/16"x 1" bolt through back/flap tap holes and carriage base, Tighten nylock nut with the bolt. Do not over-tighten nyloc nut so tight as to prevent free movement.

Repeat for the other side.



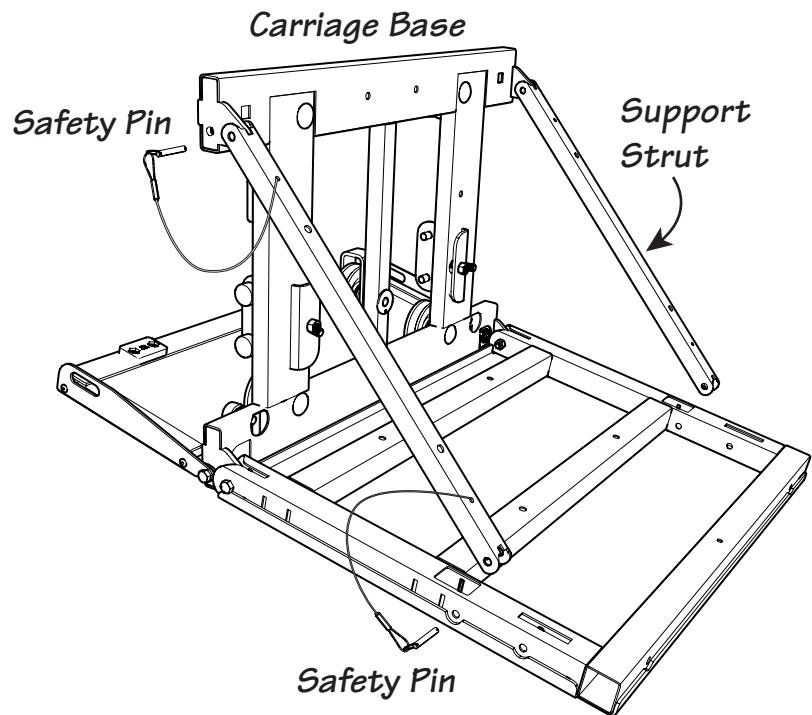
Step #4

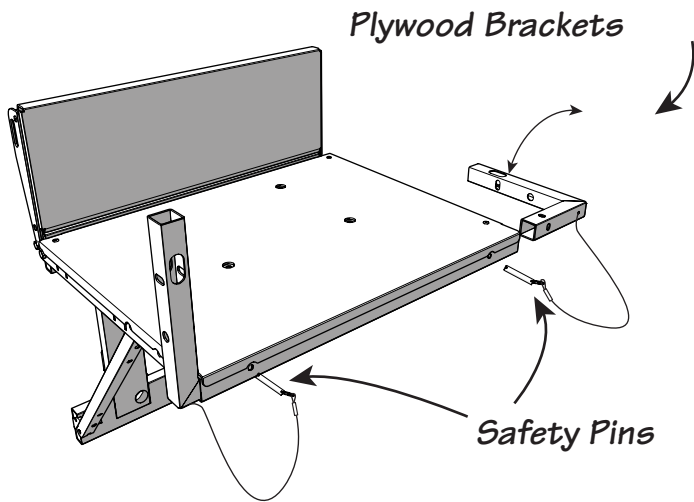
Fold the platform back/flap down, lift the carriage base up 90 degrees to both back/flap and platform base.

Position support strut with tab over the carriage base tab as shown.

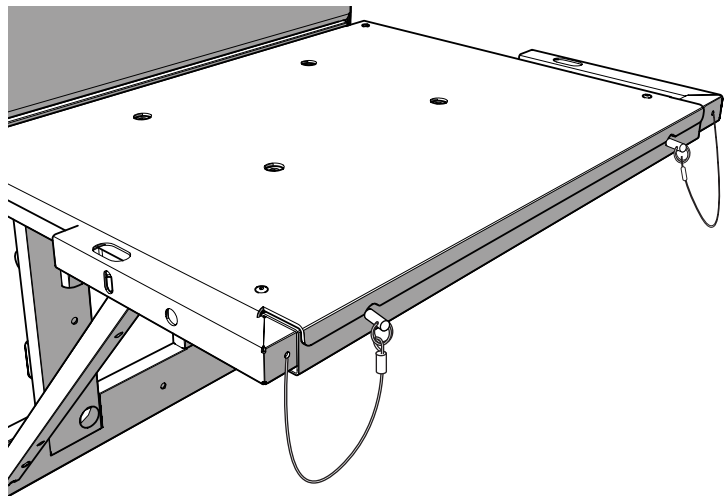
Insert safety pin. Insert safety pin between the platform base and strut as shown right.

Repeat for the other side.





Plywood brackets used when handling panel goods.



Plywood brackets in position for transport or storage.

Step #5

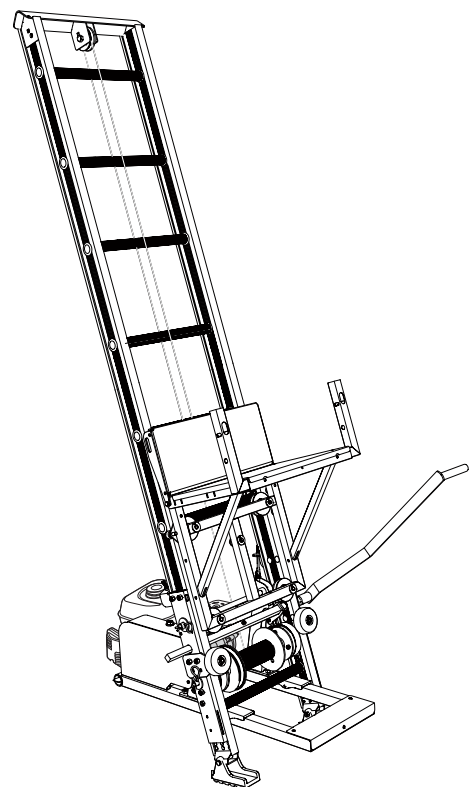
Flip the completed base over. Insert the plywood brackets into slots on the front of the Platform base. If you plan to use the plywood brackets insert the short end into the slots with the long end 90° up. Insert safety pins on each bracket.

When not in use or during transport turn the plywood brackets down 90° and insert safety pins on both sides.

Step #6

You have completely assembled the TP400 Carriage unit.

Please proceed to the TP400 Operations Manual for further instructions. Located in the tubular holder on the rear side of the motor tray.



TIE DOWN ENGINEERING
www.tiedown.com • www.tranzsporter.com

Atlanta, Georgia 30336

800-241-1806 • 404-344-0000

ISO 9001:2008 Certification

Trade, brand, names and drawings are the intellectual property of
TIE DOWN ENGINEERING. ©2017 TIE DOWN, Inc.

Instruction #08237 070617,E1398