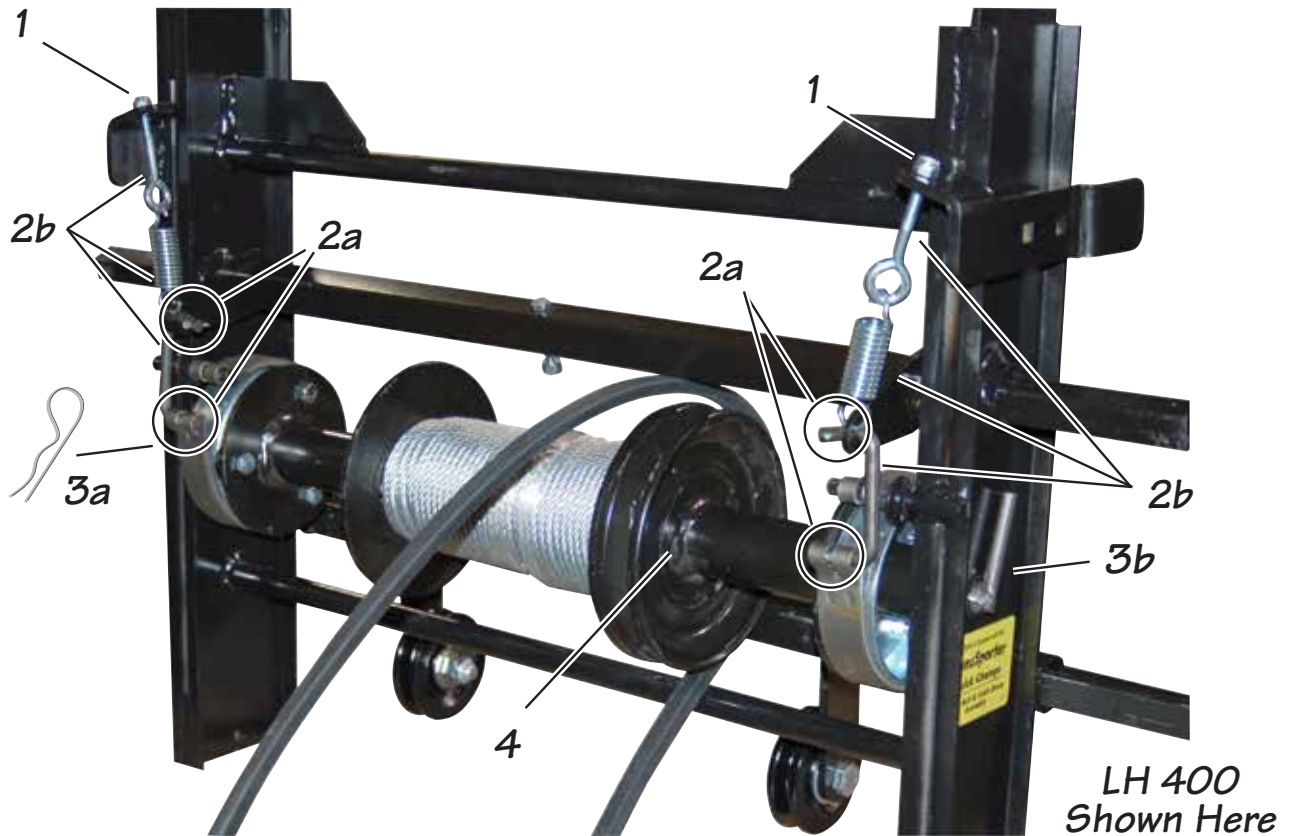


Belt Replacement Instructions For “Quick Change” TranzSporter Platform Hoists



1. Scribe or mark the location of the nut for correct tensioning after re-assembly. Remove/loosen tension on eye bolt by holding with a screw driver to keep it from spinning, loosen the nut on the spring as shown as #1. Repeat for the other side (except for LH2000 models).
2. Remove small cotter pins on linkage and brake strap (#2a). Remove spring from eye bolt, let the spring and brake linkage hang down from the brake strap (#2b). Repeat for the other side (except for LH2000 models).
3. Remove cotter pin on brake control shaft (#3a). Pull out the brake control shaft (#3b).
4. Hold the cable drum assembly with one hand while pushing down on the brake strap, remove the cable drum assembly and drive belt (see photo two).
5. Replace belt or bearings if needed.



Photo Two

Belt Replacement Instructions For “Quick Change” TranzSporter Platform Hoist

6. With the new belt placed over the cable drum assembly, lift the drum assembly and place the drum brake in the left side/strap brake. Hold the cable drum assembly with one hand while pulling down the right side strap brake. Slide the cable drum into the strap brake (the reverse process of #4, photo 2). Place/position the belt into the belt drive “V”.

If you are replacing a belt on a LH400 Model Hoist, skip down to the additional instructions below.

7. Slide the cable drum shaft (#3b) thru the base section then thru the cable drum assembly (#4) and out the other side of the base section. Replace the cotter pin (#3a).
8. Lift/replace the spring and brake linkage into the eye bolt (#2b). Replace small cotter pins in the linkage (#2a).
9. Tighten the nut on the eye bolt to the scribed/marked position, this should return the correct tension to the belt strap.

Model LH400 Instructions Only (for spacer washer)

7. Slide the cable drum shaft thru the left side of the base section, pull back to expose about 1/4” of the shaft (photo three).
8. Place space washer on the drum shaft.
9. With the new belt placed over the cable drum assembly, lift the drum assembly and place the drum brake in the left side/strap brake. Hold the cable drum assembly with one hand while pulling down the right side strap brake.
10. Place the cable drum assembly into the right side strap brake. Take special care not to move or knock loose the spacer washer (see photo three).
11. Slide the cable drum shaft (#3b) thru the base section then thru the cable drum assembly (#4) and out the other side and thru the spacer washer (special care should be given the spacer washer) and out the base section. Replace the cotter pin (#3a).
12. Lift/replace the spring and brake linkage into the eye bolt (#2).
13. Tighten the nut on the eye bolt to the scribed/marked position, this should return the correct tension to the belt strap.

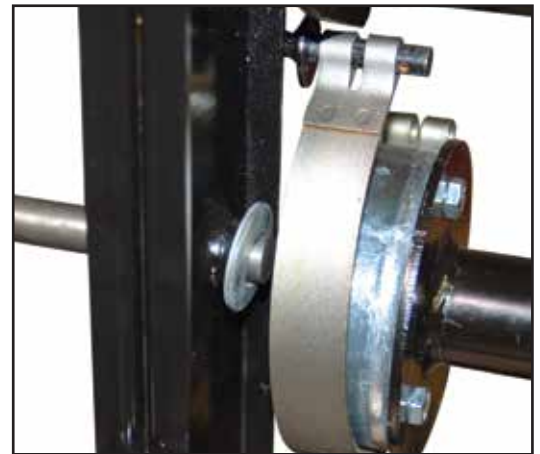


Photo three
(This photo is a reverse/front angle)

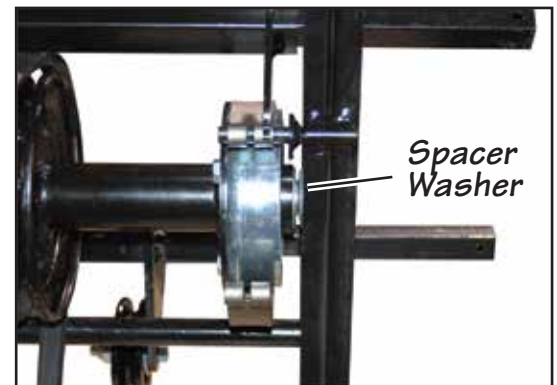


Photo Four
Page 2 of 2