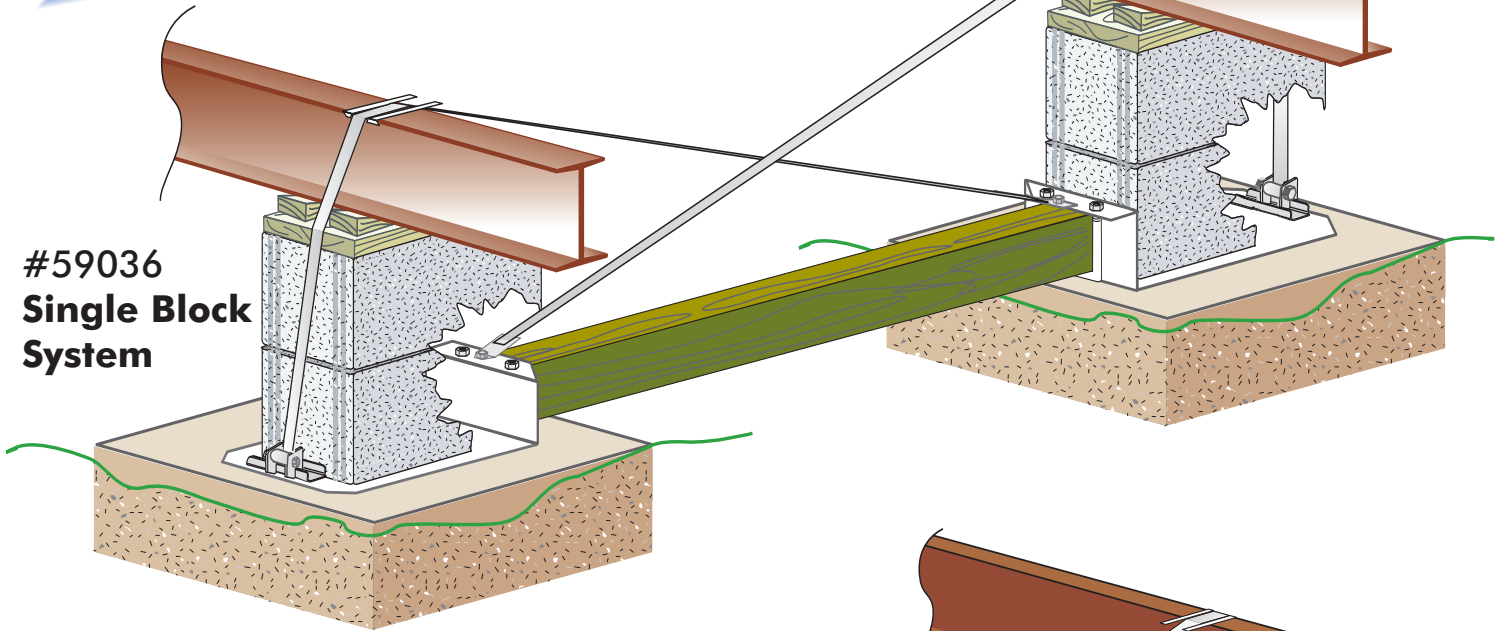


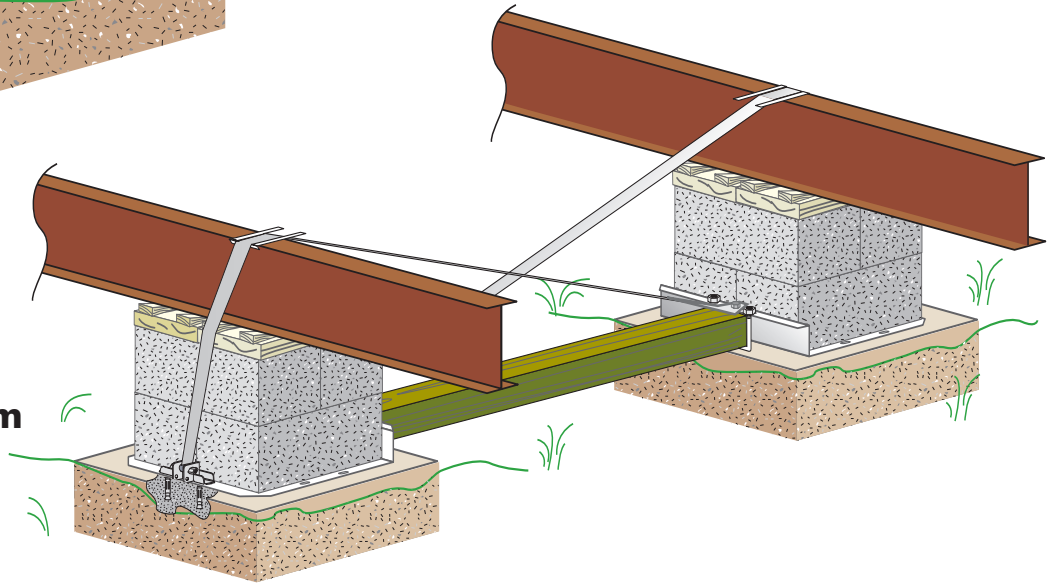
# Lateral Stabilization for Concrete, Slabs & Runners for Single/Double Block Piers

**Vector  
Dynamics**

**#59036  
Single Block  
System**



**#59049  
Double Block System**



## Parts required for the Vector Systems shown above:

- P/N 59036 - Vector Lateral Concrete (single block stack) with strap & slotted bolts
- P/N 59049 - Vector Lateral Concrete (double block stack) with strap & slotted bolts

Detailed parts list shown on back

Instruction Part # 15396

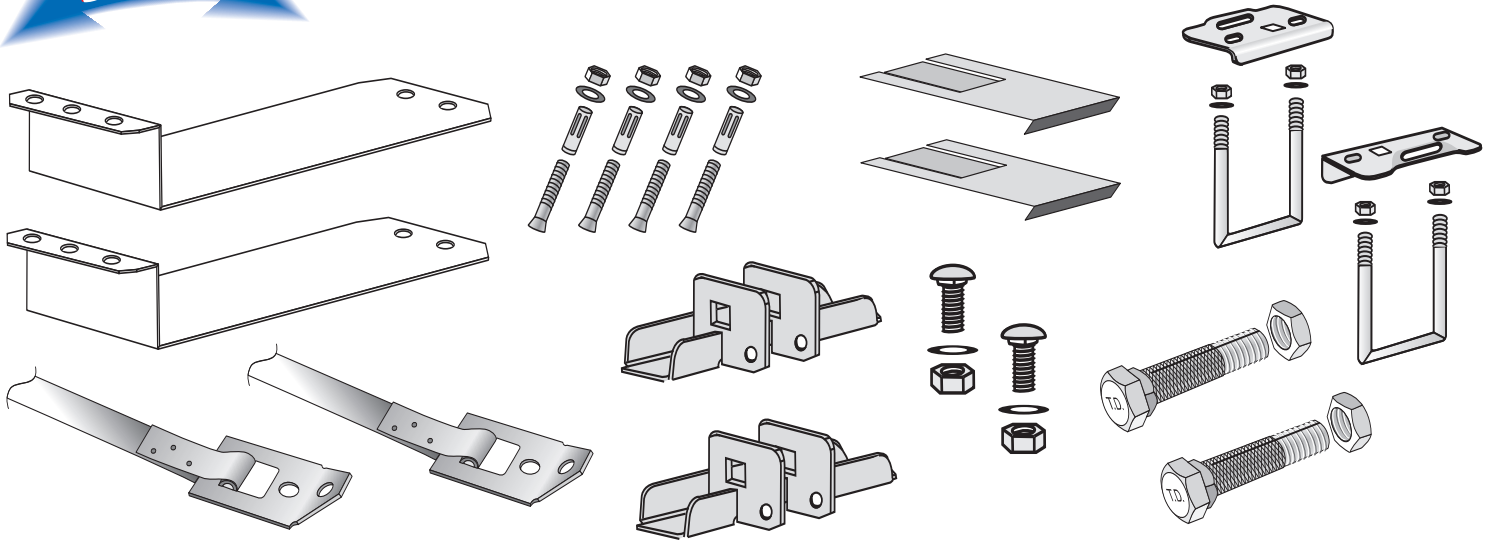
**TIE DOWN ENGINEERING • 5901 Wheaton Drive • Atlanta GA, 30336**  
**www.tiedown.com • (404) 344-0000 • FAX (404) 349-0401**



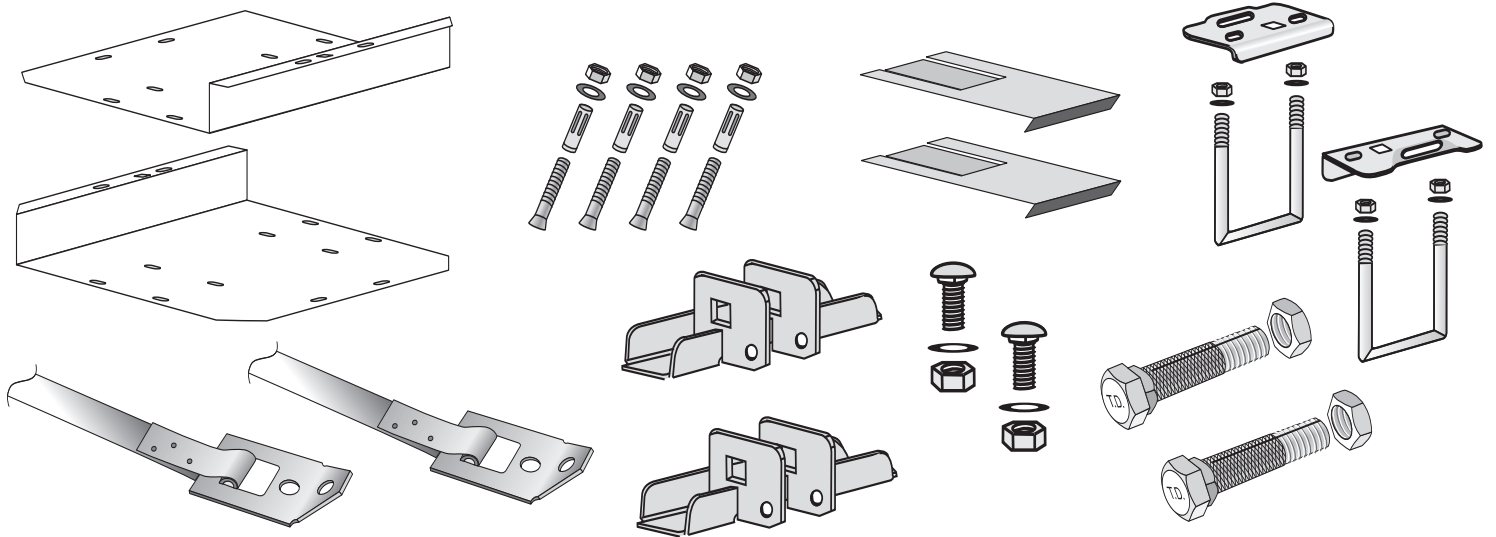
080703,D72



# Lateral Stabilization for Concrete, Slabs & Runners Parts List



**Concrete Vector System, Part # 59036 (for single stack blocks)**

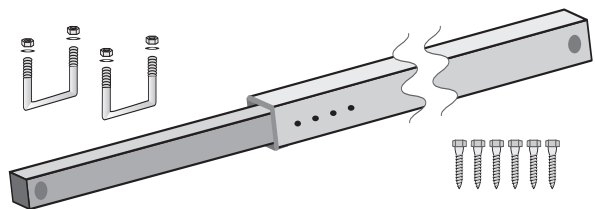


**Concrete Vector System, Part # 59049 (for double stack blocks)**

**Compression member available from your dealer or local building supply.**

Use one of the following:

- 1 - 4x4 Treated lumber
- 1 - ABS/PVC Schedule 40 Pipe
- 2 - 2x4 Treated lumber
- 1 - Compression Strut (at right)



**Center Compression Strut**

# 48612 - Single Section, 62"- 108"

# 48613 - Double Section, 34"- 60"

**TIE DOWN ENGINEERING • 5901 Wheaton Drive • Atlanta GA, 30336**  
**www.tiedown.com • (404) 344-0000 • FAX (404) 349-0401**

