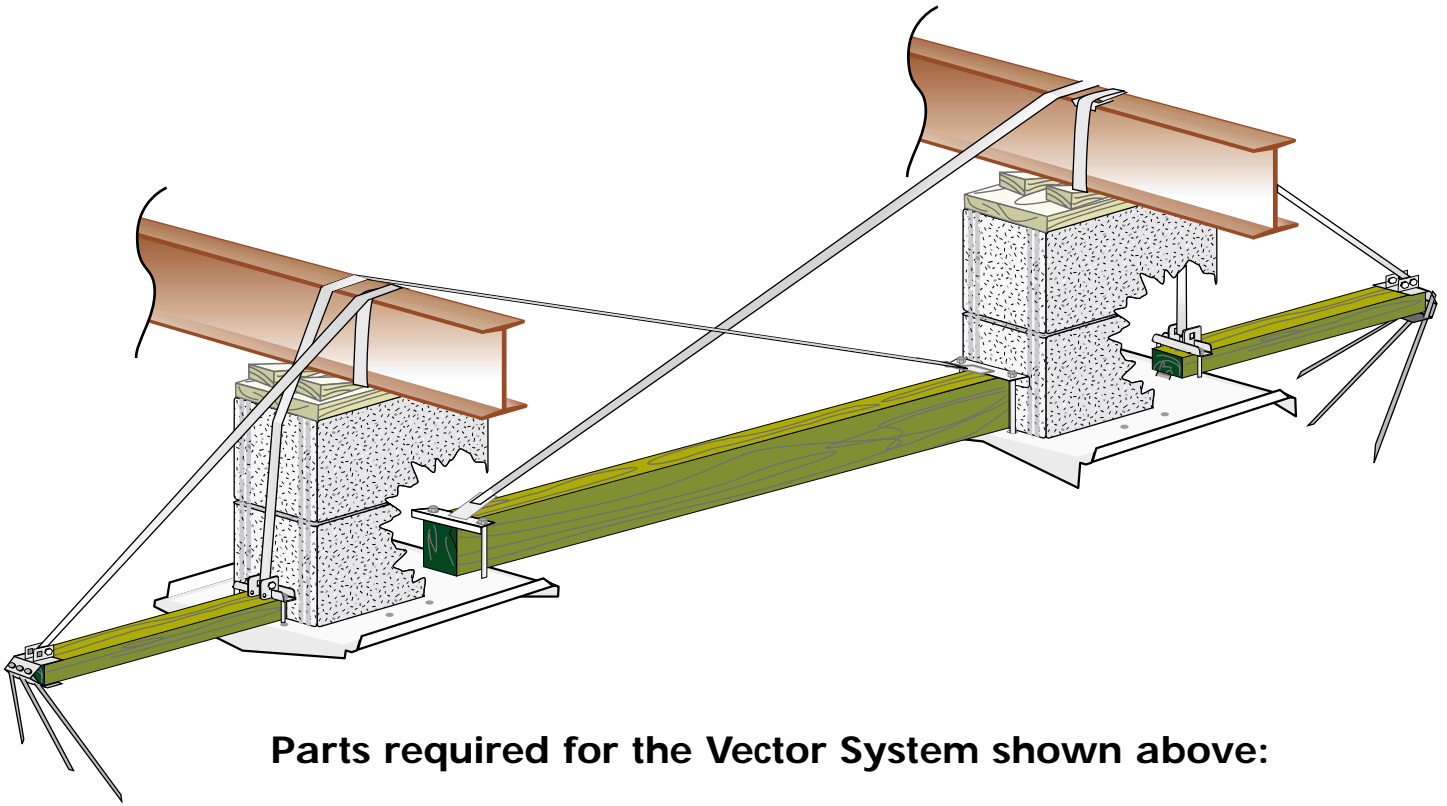


Lateral Stabilization for Difficult Soil Conditions

Single Section Homes in Wind Zone I Only



Parts required for the Vector System shown above:

- 1 P/N 59018 - Vector System 2000
- 1 P/N 59287 - V-Drive Hardware Kit for 59018
- 2 Frame Tie w/Hooks
- 2 P/N 59135 - Slotted Bolts

**Compression member
available from your dealer
or local building supply.**

Use one of the following:

- 1 - 4x4 Treated lumber
- 2 - 2x4 Treated lumber
- 1 - ABS/PVC Schedule 40 Pipe
- 1 - Compression Strut #59027

Detailed parts list shown on back

Instruction #15367

TIE DOWN ENGINEERING • 5901 Wheaton Drive • Atlanta GA, 30336
www.tiedown.com • (404) 344-0000 • FAX (404) 349-0401

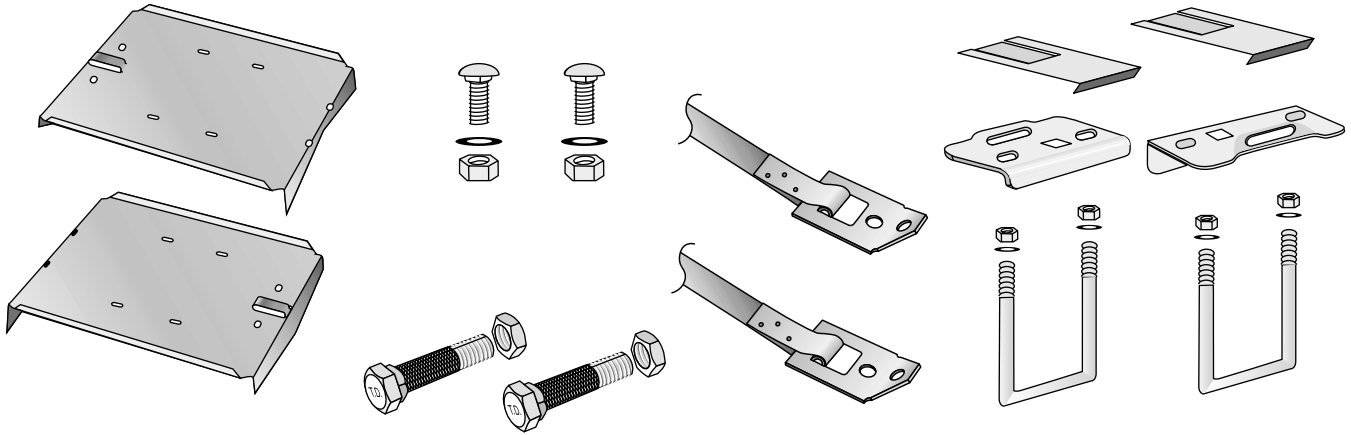


072602.67

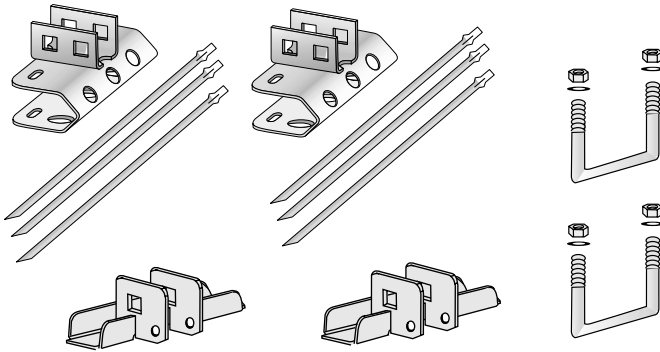
Lateral Stabilization for Difficult Soil Conditions

Single Section Homes in Wind Zone I Only

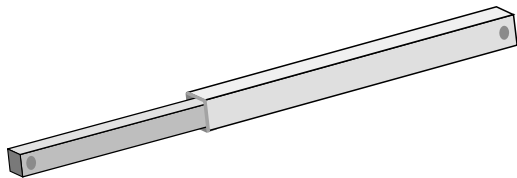
Parts List



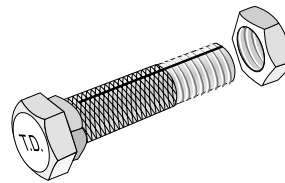
Vector System 2000
Part # 59018



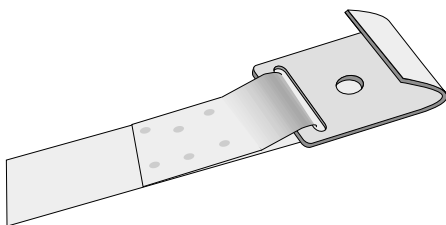
V-Drive Hardware Kit
Part # 59287



Center Compression Strut
Part # 59027



Slotted Bolt
Part # 59135



Frame Tie w/Hook
6 ft. P/N 59185
7 ft. P/N 59190
8 ft. P/N 59195
10 ft. P/N 59210