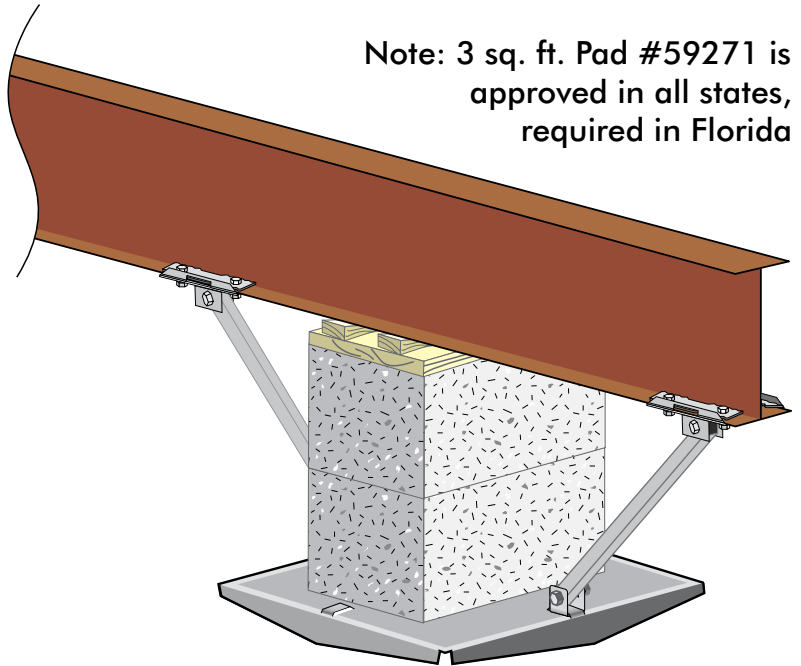


Longitudinal Stabilization System (LSD) for Ground Application

**Vector
Dynamics**

Note: 3 sq. ft. Pad #59271 is approved in all states, required in Florida



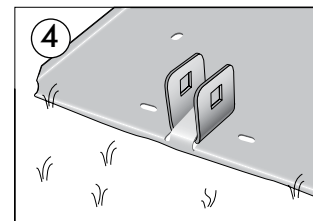
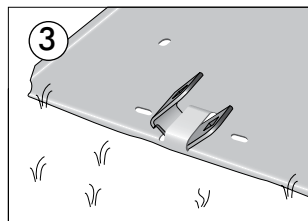
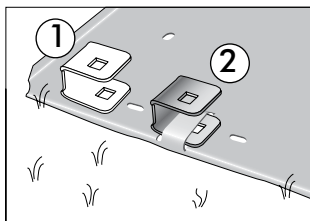
Parts required for the LSD System shown right:

- 1 P/N # 59271 - 3 Sq. Ft. Vector Pad
- 1 P/N # 59026 - LSD Hardware Kit
- 2 Galvanized Struts

Detailed parts list shown on back

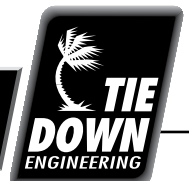
Longitudinal Stabilization Device Installation Instructions

1. Determine where the Longitudinal Stabilization Devices will be installed on the home, such that the pad(s) will be centered under the beam(s). For ground-set system, clear all vegetation in the area where the pads will be placed. The pad should be placed with matching raised connector slots parallel to the beam, and third slot should be facing toward the outside of the home.
2. Drive the ground-set pad into the ground so that the top of the pad is flush with the ground.
3. Build the pier centered between the connection slots but do not wedge at this time. Insert tie bracket into slot where strut will connect to pad (see illustration).
4. Install longitudinal strut to tie bracket in base pad with 1/2" carriage bolt provided. Tighten, using the 3/8" nuts. Pier should be wedged at this time.
5. Install beam clamps on either side of the pier. Hold the formed clamp with the tabs facing down under the beam. Place the serrated edge plates on each side of the beam with the serrated edge towards the beam and the locking tab placed into the clamp body. Use 1/2" carriage bolts to join the parts. Finger tighten only at this time.
6. Install longitudinal link tubes to the tie links on each side of the pier at the pads. Connect the tube to the tie links using 1/2" x 3" bolts. Finger tighten the 1/2" nuts at this time. Pivot the tube up to the beam, sliding the beam clamp to meet the end of the tube.
7. Use 1/2" x 3" bolts and nuts to connect the tubes to the beam clamps. Tighten all nuts/bolts at this time.



P/N 15378

TIE DOWN ENGINEERING • 255 Villanova Drive SW • Atlanta, GA 30336
www.tiedown.com (404) 344-0000 Fax (404) 349-0401

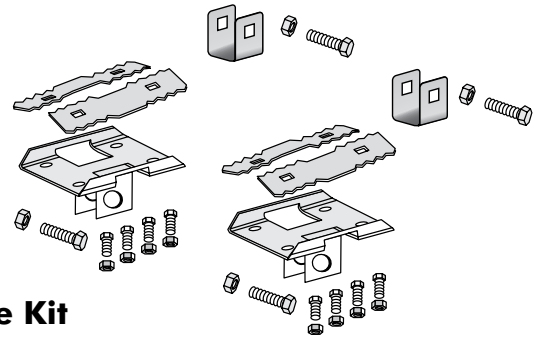
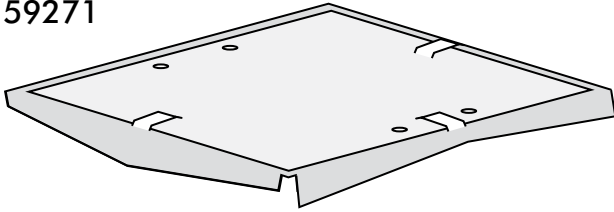


061108.d3

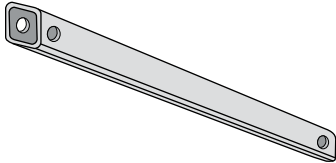


Longitudinal Stabilization System for Ground Application Parts List

3 Sq. Ft. Pad
P/N 59271



LSD Hardware Kit
P/N 59026

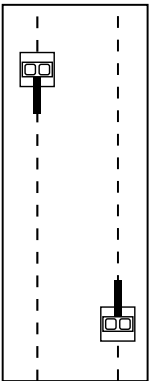


Struts for Longitudinal Systems

Part No.	Strut Length	Pier Height
59016	30"	up to 2 Blocks or 18"
59012	39"	up to 3 Blocks or 24"
59013	44"	up to 4 Blocks or 32"
59014	53"	up to 5 Blocks or 40"
59015	65"	up to 6 Blocks or 48"

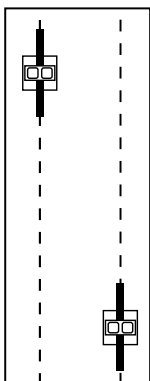
Example of Possible Placement:

Single Section
WZ 1



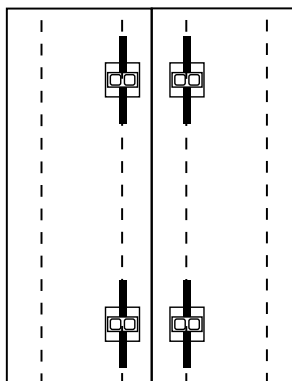
18 Ft. Max.

Single Section
WZ 2 & 3

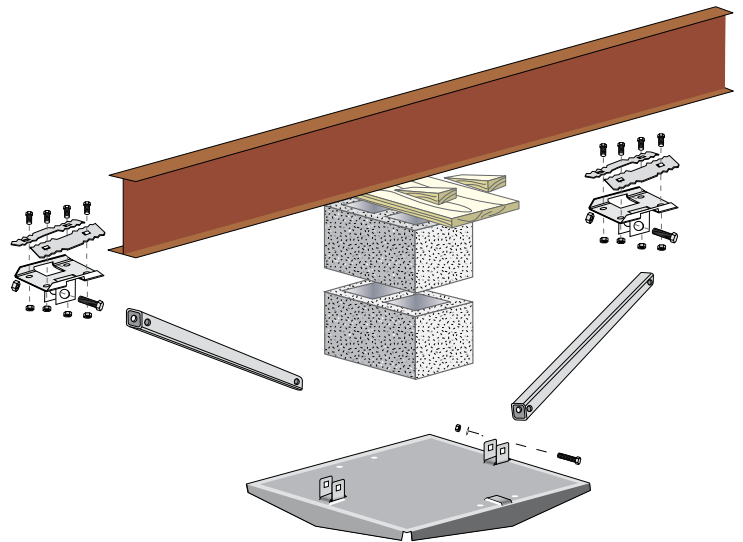


18 Ft. Max.

Double Section
WZ 2 & 3



36 Ft. Max.



WZ 1 - LSD Systems Required
(one strut per system)
Single 2, Double 2, Triple 4

WZ 2 & 3 - LSD Systems Required
(two struts per system)
Single 2, Double 4, Triple 6

Note: Florida has specific requirements, check with State Authorities before installation.

TIE DOWN ENGINEERING • 255 Villanova Drive SW • Atlanta, GA 30336
www.tiedown.com (404) 344-0000 Fax (404) 349-0401



061108.d13