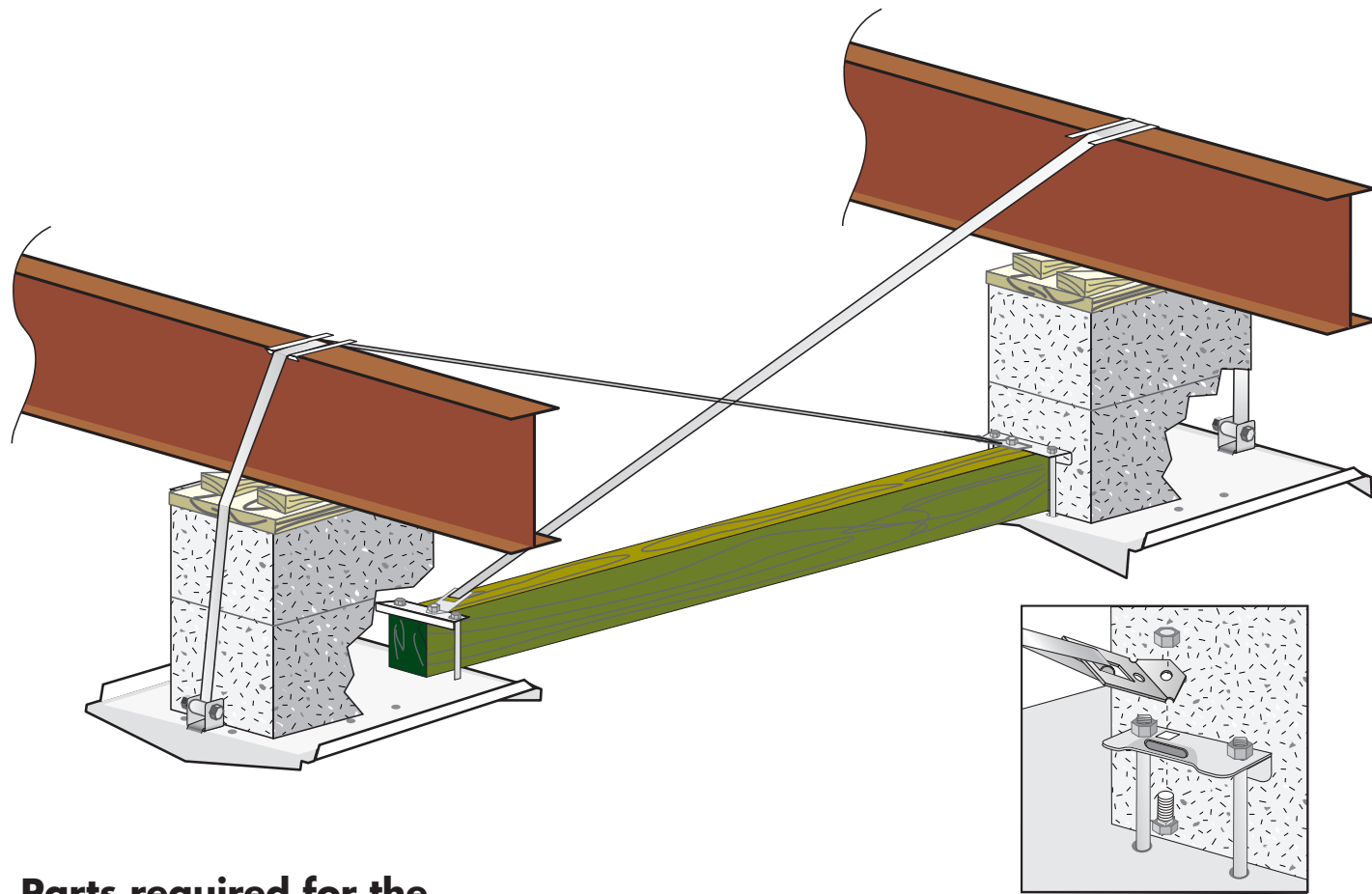


# Vector 2000 Lateral Stabilization for Single & Double Section Homes



## Parts required for the Vector System shown above:

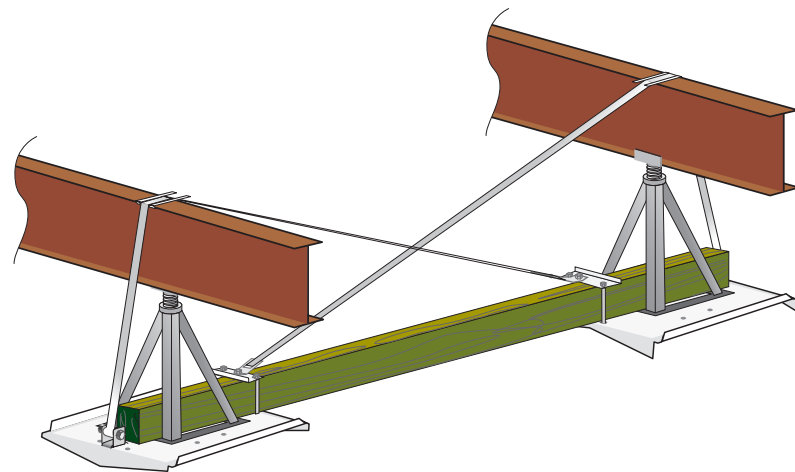
1 - P/N 59018 - Vector System 2000

Detailed parts list shown on back

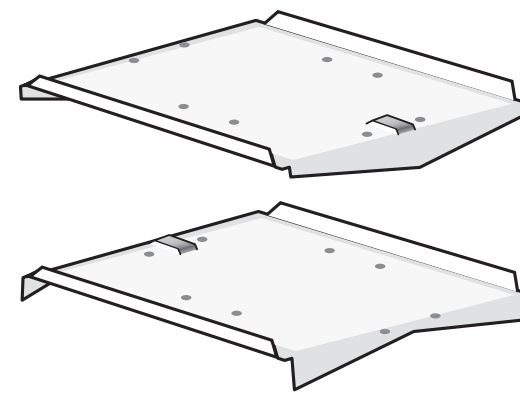
## Compression member available from your dealer or local building supply.

Use one of the following:

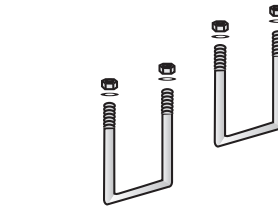
- 1 - 4x4 Treated lumber
- 2 - 2x4 Treated lumber
- 1 - ABS/PVC Schedule 40 Pipe
- 1 - Compression Strut #59027



# Vector 2000 Lateral Stabilization for Single & Double Section Homes Parts List #59018



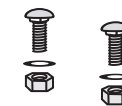
2 - 2 Sq. Ft. Vector Pads



2 - Long U-Bolts w/ Washers and Nuts



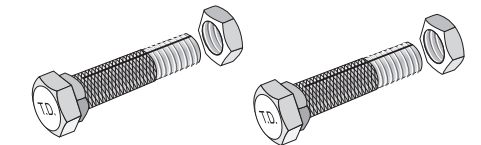
2 - Inside Tie Brackets



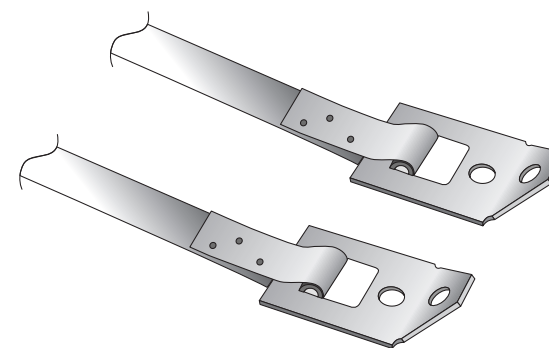
2 - Bolts, Washers & Nuts



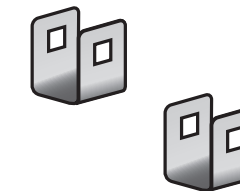
2 - Strap Protectors



2 - Slotted Bolts



2, 12 ft - G60 Strap w/Swivel Connectors

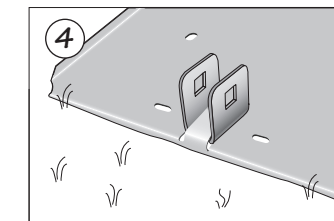
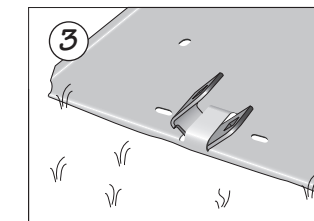
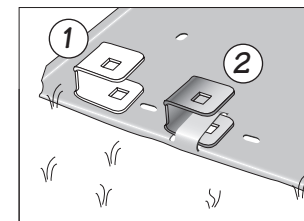


2 - Tension Brackets

## Compression member available from your dealer or local building supply.

Use one of the following:

- 1 - 4x4 Treated lumber
- 2 - 2x4 Treated lumber
- 1 - ABS/PVC Schedule 40 Pipe
- 1 - Compression Strut #59027



Part #15383

**TIE DOWN ENGINEERING • 5901 Wheaton Drive • Atlanta GA, 30336**  
www.tiedown.com • (404) 344-0000 • FAX (404) 349-0401



102500,13

**TIE DOWN ENGINEERING • 5901 Wheaton Drive • Atlanta GA, 30336**  
www.tiedown.com • (404) 344-0000 • FAX (404) 349-0401



102500,13