

Floating Pontoon Trailer Guide On's

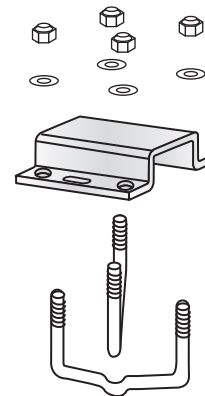
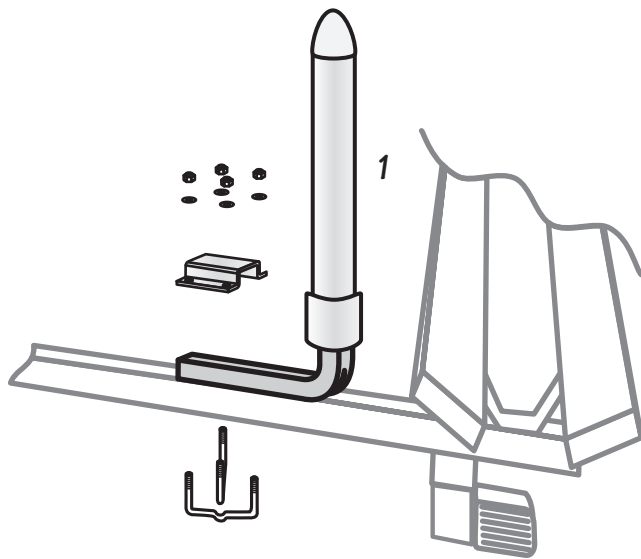
Model #86468

best in the
LongRun

- Hot dip galvanized steel tubing
- Fits over 2" wide cross members
- 24" overall height on land, 36" fully extended
- Bright orange end caps for easy viewing & loading
- All mounting hardware included

Parts List:

#	Qty.	Description
1	2	24" Guide tube with PVC Post
2	8	Nylock Nut 3/8"
3	8	Washer 3/8"
4	2	Bracket Channel
5	2	U-bolt 3/8"
6	2	U-bolt 3/8" with cross relief



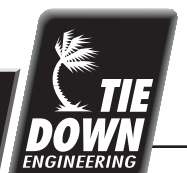
**Mounting for
2"x 2" Cross member**

Installation Instructions

1. Using the bracket channel (4) and guide tube (1) as a guide, check position on cross beam or frame for guide placement.
2. Place one straight u-bolt (5) and one cross over u-bolt (6) over or under the crossmember. Position bracket channel (5) over the u-bolts. Loosely attach washers (3) and nylock nuts (2).
3. Inset a guide post (1) into the bracket channel (4) place both for final position.
4. Make sure the guide tube is properly seated within the bracket channel, the cross relief u-bolt is placed over the straight u-bolt and the guide tube mounts at a 90 degree angle to the frame.
5. Perform one last check for guide placement.
5. Finish tightening the u-bolts.

Instruction Sheet #08137

TIE DOWN ENGINEERING • 255 Villanova Drive SW • Atlanta, GA 30336
www.tiedown.com (404) 344-0000 Fax (404) 349-0401



120110, A1161