

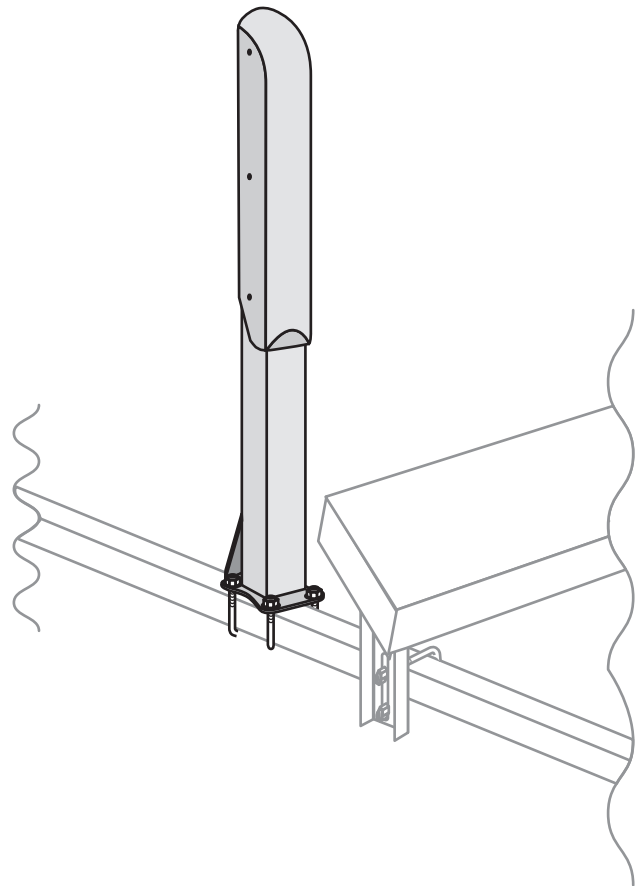
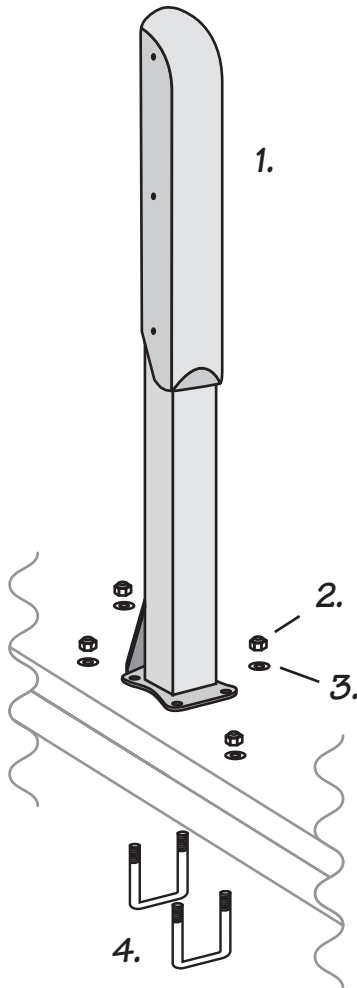
High Impact Pontoon Trailer Guide On's

best in the
LongRun

Model #86467

Parts List:

#	Qty.	Description
1	2	Guide Tube Assembly
2	8	Nylock Nut 1/2"
3	8	Washer 1/2" zinc
4	4	U-bolt 1/2"x 2" x 3"

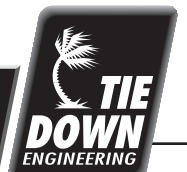


Installation Instructions

1. Place the Guide Tube Assembly (1) in place over the crossbeam, check for correct positioning to the pontoon.
2. Place u-bolts (4) under the frame and thru the Guide Tube base. Loosely attach washers (3) and nylock nuts (2).
3. Make sure the guide tube is properly seated flat against the crossbeam and in a 90 degree angle.
4. Double check Guide Tube and pontoon position.
5. Tighten the u-bolts.

Instruction Sheet #08119

TIE DOWN ENGINEERING • 255 Villanova Drive SW • Atlanta, GA 30336
www.tiedown.com (404) 344-0000 Fax (404) 349-0401



110309, A1074